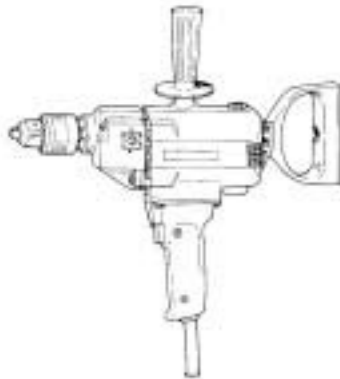


# HITACHI

**Drill**  
**Bohrmaschine**  
**Δράπανο**  
**Wiertarka**  
**Fúrógép**  
**Vrtačka**  
**Matkap**  
**Электродрель**

## D 13

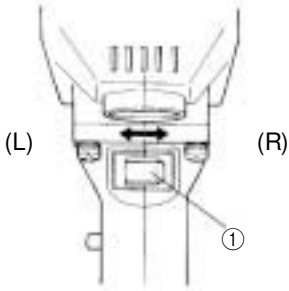
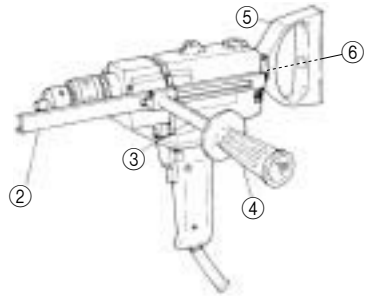
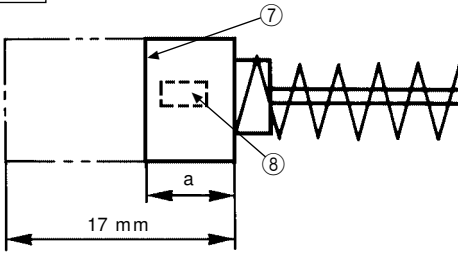


Read through carefully and understand these instructions before use.  
Diese Anleitung vor Benutzung des Werkzeugs sorgfältig durchlesen und verstehen.  
Διαβάστε προσεκτικά και κατανοήσετε αυτές τις οδηγίες πριν τη χρήση.  
Przed użytkowaniem należy dokładnie przeczytać niniejszą instrukcję i zrozumieć jej treść.  
Használat előtt olvassa el figyelmesen a használati utasítást.  
Před použitím si pečlivě přečtěte tento návod a ujistěte se, že mu dobře rozumíte.  
Alet kullanmadan önce bu kılavuzu iyice okuyun ve talimatları anlayın.  
Внимательно прочтите данную инструкцию по эксплуатации прежде чем пользоваться инструментом.



**Handling instructions**  
**Bedienungsanleitung**  
**Οδηγίες χειρισμού**  
**Instrukcja obsługi**  
**Kezelési utasítás**  
**Návod k obsluze**  
**Kullanım talimatları**  
**Инструкция по эксплуатации**

**Hitachi Koki**

**1****2****3**

	a	⑧
⑨	6 mm	43
⑩	7 mm	73

	English	Deutsch	Ελληνικά	Polski
①	Lever	Hebel	Μοχλός	Dźwignia
②	Depth stopper	Tiefenstopper	Στόπερ βάθους	Ogranicznik głębokości
③	Handle joint	Griffanschluß	Ένωση λαβής	Złącze uchwytu
④	Side handle	Seitengriff	Πλευρική λαβή	Uchwyt boczny
⑤	Spade handle	Spatengriff	Λαβή φτυαριού	Uchwyt szpadlowy
⑥	Bolt	Bolzen	Μπουλόνι	Śruba
⑦	Wear limit	Verschleißgrenze	Όριο φθοράς	Granica zużycia
⑧	No. of carbon brush	Nr. der Kohlebürste	Αρ. Καρβουνακιού	Numer szczotki węglowej
⑨	Usual carbon brush	Gewöhnliche Kohlebürste	Συνηθισμένα καρβουνάκια	Zwyk a szczotka węglowa
⑩	Auto-stop carbon brush	Auto-Stop Kohlebürest	Καρβουνάκια αυτόματης διακοπής	Szczotka węglowa auto stop

	Magyar	Čeština	Türkçe	Русский
①	Kar	Páčka	Kol	Рычаг
②	Mélységmegállító	Hlubkový doraz	Derinlik durdurucu	Ограничитель глубины
③	Fogantyú csatlakozás	Spojka rukojeti	Kol mafsalı	Крепление рукоятки
④	Oldalfogantyú	Boční rukojeť	Yan kol	Боковая рукоятка
⑤	Véső fogantyú	Třmenová rukojeť	Bel kolu	Заостренная рукоятка
⑥	Csavar	Šroub	Sivata	Болт
⑦	Kopási határ	Mez opotřebení	Yıpranma limiti	Предел износа
⑧	Szénkefék sz.	Č. uhlíkového kartáčku	Kömür fırça sayısı	π угольной щетки
⑨	Hagyományos szénkefe	Obvyklý uhlíkový kartáček	Normal Kömür	Обычная угольная щетка
⑩	Automatikus leállítási szénkefe	Uhlíkový kartáček pro automatické zastavení	Otomatik Durdurma Kömürü	Угольная щетка автоматической остановки

## GENERAL SAFETY RULES

### WARNING!

#### Read all instructions

Failure to follow all instructions listed below may result in electric shock, fire and/or serious injury.

The term "power tool" in all of the warnings listed below refers to your mains operated (corded) power tool or battery operated (cordless) power tool.

### SAVE THESE INSTRUCTIONS

#### 1) Work area

- a) **Keep work area clean and well lit.**  
*Cluttered and dark areas invite accidents.*
- b) **Do not operate power tools in explosive atmospheres, such as in the presence of flammable liquids, gases or dust.**  
*Power tools create sparks which may ignite the dust or fumes.*
- c) **Keep children and bystanders away while operating a power tool.**  
*Distractions can cause you to lose control.*

#### 2) Electrical safety

- a) **Power tool plugs must match the outlet. Never modify the plug in any way. Do not use any adapter plugs with earthed (grounded) power tools.**  
*Unmodified plugs and matching outlets will reduce risk of electric shock.*
- b) **Avoid body contact with earthed or grounded surfaces such as pipes, radiators, ranges and refrigerators.**  
*There is an increased risk of electric shock if your body is earthed or grounded.*
- c) **Do not expose power tools to rain or wet conditions.**  
*Water entering a power tool will increase the risk of electric shock.*
- d) **Do not abuse the cord. Never use the cord for carrying, pulling or unplugging the power tool. Keep cord away from heat, oil, sharp edges or moving parts.**  
*Damaged or entangled cords increase the risk of electric shock.*
- e) **When operating a power tool outdoors, use an extension cord suitable for outdoor use.**  
*Use of a cord suitable for outdoor use reduces the risk of electric shock*

#### 3) Personal safety

- a) **Stay alert, watch what you are doing and use common sense when operating a power tool. Do not use a power tool while you are tired or under the influence of drugs, alcohol or medication.**  
*A moment of inattention while operating power tools may result in serious personal injury.*
- b) **Use safety equipment. Always wear eye protection. Safety equipment such as dust mask, non-skid safety shoes, hard hat, or hearing protection used for appropriate conditions will reduce personal injuries.**
- c) **Avoid accidental starting. Ensure the switch is in the off position before plugging in.**  
*Carrying power tools with your finger on the switch or plugging in power tools that have the switch on invites accidents.*

- d) **Remove any adjusting key or wrench before turning the power tool on.**

*A wrench or a key left attached to a rotating part of the power tool may result in personal injury.*

- e) **Do not overreach. Keep proper footing and balance at all times.**

*This enables better control of the power tool in unexpected situations.*

- f) **Dress properly. Do not wear loose clothing or jewellery. Keep your hair, clothing and gloves away from moving parts.**

*Loose clothes, jewellery or long hair can be caught in moving parts.*

- g) **If devices are provided for the connection of dust extraction and collection facilities, ensure these are connected and properly used.**

*Use of these devices can reduce dust related hazards.*

#### 4) Power tool use and care

- a) **Do not force the power tool. Use the correct power tool for your application.**

*The correct power tool will do the job better and safer at the rate for which it was designed.*

- b) **Do not use the power tool if the switch does not turn it on and off.**

*Any power tool that cannot be controlled with the switch is dangerous and must be repaired.*

- c) **Disconnect the plug from the power source before making any adjustments, changing accessories, or storing power tools.**

*Such preventive safety measures reduce the risk of starting the power tool accidentally.*

- d) **Store idle power tools out of the reach of children and do not allow persons unfamiliar with the power tool or these instructions to operate the power tool. Power tools are dangerous in the hands of untrained users.**

- e) **Maintain power tools. Check for misalignment or binding of moving parts, breakage of parts and any other condition that may affect the power tools operation.**

**If damaged, have the power tool repaired before use.**  
*Many accidents are caused by poorly maintained power tools.*

- f) **Keep cutting tools sharp and clean.**

*Properly maintained cutting tools with sharp cutting edges are less likely to bind and are easier to control.*

- g) **Use the power tool, accessories and tool bits etc., in accordance with these instructions and in the manner intended for the particular type of power tool, taking into account the working conditions and the work to be performed.**

*Use of the power tool for operations different from intended could result in a hazardous situation.*

#### 5) Service

- a) **Have your power tool serviced by a qualified repair person using only identical replacement parts.**

*This will ensure that the safety of the power tool is maintained.*

### PRECAUTION

**Keep children and infirm persons away.**

**When not in use, tools should be stored out of reach of children and infirm persons.**

## PRECAUTIONS ON USING DRILL

1. Wear ear protectors with impact drills. Exposure to noise can cause hearing loss.
2. Use auxiliary handles supplied with the tool. Loss of control can cause personal injury.
3. Never wear gloves during operation. Gloves are sometimes caught by rotating parts, resulting in serious injury. Do not use gloves during operation.

## SPECIFICATIONS

Voltage (by areas)*	(110V, 115V, 120V, 127V, 220V, 230V, 240V) ∩	
Power input	720 W*	
No load speed	550 min <sup>-1</sup>	
Capacity	Steel	13 mm
	Wood	40 mm
Weight (without cord)	3 kg	

\* Be sure to check the nameplate on product as it is subject to change by areas.

## STANDARD ACCESSORIES

- (1) Chuck wrench ..... 1  
 (2) Side handle ..... 1  
 Standard accessories are subject to change without notice.

## OPTIONAL ACCESSORIES (sold separately)

- (1) Handle joint  
 (2) Depth Stopper  
 Optional accessories are subject to change without notice.

## APPLICATIONS

- Drilling in metal, lumber and plastics.

## PRIOR TO OPERATION

1. **Power source**  
Ensure that the power source to be utilized conforms to the power requirements specified on the product nameplate.
2. **Power switch**  
Ensure that the power switch is in the OFF position. If the plug is connected to a receptacle while the power switch is in the ON position, the power tool will start operating immediately, inviting serious accident.
3. **Extension cord**  
When the work area is removed from the power source. Use an extension cord of sufficient thickness and rated capacity. The extension cord should be kept as short as practicable.
4. **Confirm the direction of bit rotation**  
The drill bit rotates clockwise (when viewed from the rear) when the lever of the reversing switch is set to the "R" position, and rotates in the reverse direction when the lever of the reversing switch is set to the "L" position.

4. Install the side handle and hold the tool firmly with both hands.  
One-hand operation is very dangerous. Always install the side handle and hold the tool with both hands. Holding the tool insufficiently can result in serious damage during operation.
5. Before drilling into walls ceilings or floors, ensure that there are no concealed power cables inside.

### 5. Fitting the drill bit

Fit the drill bit into the chuck and use the chuck key to secure it, tightening the chuck by each of the three holes in turn.

### 6. Selecting the appropriate drill bit

- When boring metal or plastic  
Use ordinary metalworking drill bits. Sizes range from a minimum of 1.2 mm to chuck maximum capacity.
- When boring wood  
Use ordinary woodworking drill bits. However, when drilling 6.5 mm or smaller holes, use a metalworking drill bit.

### 7. Installing spade handle

The spade handle can be installed on the back of the drill. Insert the bolt through the hole in the spade handle, locate the spade handle in the desired position and tighten the bolt firmly.

### 8. Installing the side handle

The side handle screws into the housing on either side of the gear cover. For safe operation, use of the side handle is necessary. Especially in heavy duty drilling, use handle joint and side handle.

### 9. Installing the depth stopper (optional accessory)

The depth stopper which is useful for adjusting the drilling depth is available. Install the depth stopper to the gear cover using the side handle or set screw.

## PRACTICAL HANDLING PROCEDURES

### 1. Pressure

Drilling will NOT be accelerated by placing heavy pressure on the drill. Such action will only result in a damaged drill bit, decreased drilling efficiency, and/or shortened service life of the drill.

### 2. Using a large diameter drill bit

The larger the drill bit diameter, the larger the reactive force on your arm. Be careful not to lose control of the drill because of this reactive force. To maintain firm control, establish a good foothold,

hold the drill tightly with both hands, and ensure that the drill is vertical to the material being drilled.

### 3. When drilling completely through the material

When the drill bit bores completely through the material, careless handling often results in broken drill bit or damage to the drill body itself due to the sudden movement of the drill.

Always be alert and ready to release pushing force when drilling through the material.

### 4. Switch operation

#### (1) Trigger switch

By pulling the trigger switch and depressing the stopper, the switch is held in the ON position for continuous drilling. To turn the drill OFF, pull the trigger switch again and release.

#### (2) Reversing switch

This drill can rotate both clockwise (for drilling) and counterclockwise (for releasing the drill bit) by operating the reversing switch.

### CAUTION

Never change the direction of rotation while the motor is rotating. Turn the power switch off before changing the direction of rotation.

### 5. Precautions on boring

The drill bit may become overheated during operation; however, it is sufficiently operable. Do not cool the drill bit in water or oil.

### 6. Caution concerning immediately after use

Immediately after use, while it is still revolving, if the Drill is placed on a location where considerable ground chips and dust have accumulated, dust may occasionally be absorbed into the drill mechanism. Always pay attention to this undesirable possibility.

### 5. Maintenance of the motor

The motor unit winding is the very "heart" of the power tool. Exercise due care to ensure the winding does not become damaged and/or wet with oil or water.

### 6. Service parts list

- A: Item No.
- B: Code No.
- C: No. Used
- D: Remarks

### CAUTION

Repair, modification and inspection of Hitachi Power Tools must be carried out by a Hitachi Authorized Service Center.

This Parts List will be helpful if presented with the tool to the Hitachi Authorized Service Center when requesting repair or other maintenance.

In the operation and maintenance of power tools, the safety regulations and standards prescribed in each country must be observed.

### MODIFICATION

Hitachi Power Tools are constantly being improved and modified to incorporate the latest technological advancements.

Accordingly, some parts (i.e. code numbers and/or design) may be changed without prior notice.

### NOTE

Due to HITACHI's continuing program of research and development, the specifications herein are subject to change without prior notice.

## MAINTENANCE AND INSPECTION

### 1. Inspecting the drill bits

Since use of an abraded drill bits will cause motor malfunctioning and degraded efficiency, replace the drill bits with a new one or resharpening without delay when abrasion is noted.

### 2. Inspecting the mounting screws

Regularly inspect all mounting screws and ensure that they are properly tightened. Should any of the screws be loose, retighten them immediately. Failure to do so could result in serious hazard.

### 3. Inspecting the carbon brushes

The motor employs carbon brushes which are consumable parts.

When the brushes are worn down, motor trouble may result. When the brushes are worn down to the limit line, replace the brushes with new ones. Keep the brushes clean, so that they smoothly slide into the brush holders.

When replacing the brushes with new ones, be sure to use a pair of brushes for HITACHI ELECTRIC DRILL Type D13 corresponding to the illustrated number. Auto-stop carbon brushes automatically cut off the electric circuit, when it is worn down to the wear limit.

This indicates the replacement time of the brush and prevents damage of the commutator.

### 4. Replacing carbon brushes

Disassemble the brush caps with a slotted-head screwdriver. The carbon brushes can then be easily removed.

### Information concerning airborne noise and vibration

The measured values were determined according to EN 60745 and declared in accordance with ISO 4871.

Measured A-weighted sound power level: 97 dB (A)  
Measured A-weighted sound pressure level: 86 dB (A)  
Uncertainty KpA: 3 dB (A)

Wear ear protection.

The typical weighted root mean square acceleration value does not exceed 2.5 m/s<sup>2</sup>.

## ALLGEMEINE SICHERHEITSMASSNAHMEN

### WARNUNG!

#### Lesen Sie sämtliche Hinweise durch

*Wenn nicht sämtliche nachstehenden Anweisungen befolgt werden, kann es zu Stromschlag, Brand und/oder ernsthaften Verletzungen kommen.*

*Der Begriff „Elektrowerkzeug“ bezieht sich in den folgenden Warnhinweisen auf Elektrowerkzeuge mit Netz- (schnurgebunden) oder Akkubetrieb (schnurlos).*

### BEWAHREN SIE DIESE ANWEISUNGEN AUF

#### 1) Arbeitsbereich

- a) Sorgen Sie für einen sauberen und gut ausgeleuchteten Arbeitsbereich.

*Zugestellte und dunkle Bereiche ziehen Unfälle förmlich an.*

- b) Verwenden Sie Elektrowerkzeuge niemals an Orten, an denen Explosionsgefahr besteht – zum Beispiel in der Nähe von leicht entflammaren Flüssigkeiten, Gasen oder Stäuben.

*Bei der Arbeit mit Elektrowerkzeugen kann es zu Funkenbildung kommen, wodurch sich Stäube oder Dämpfe entzünden können.*

- c) Sorgen Sie bei der Arbeit mit Elektrowerkzeugen dafür, dass sich keine Zuschauer (insbesondere Kinder) in der Nähe befinden.

*Wenn Sie abgelenkt werden, können Sie die Kontrolle über das Werkzeug verlieren.*

#### 2) Elektrische Sicherheit

- a) Elektrowerkzeuge müssen mit passender Stromversorgung betrieben werden.

**Nehmen Sie niemals irgendwelche Änderungen am Anschlussstecker vor.**

**Verwenden Sie bei Elektrowerkzeugen mit Schutzkontakt (geerdet) niemals Adapterstecker. Stecker im Originalzustand und passende Steckdosen reduzieren das Stromschlagrisiko.**

- b) Vermeiden Sie Körperkontakt mit geerdeten Gegenständen wie Rohrleitungen, Heizungen, Herden oder Kühlschränken.

*Bei Körperkontakt mit geerdeten Gegenständen besteht ein erhöhtes Stromschlagrisiko.*

- c) Setzen Sie Elektrowerkzeuge niemals Regen oder sonstiger Feuchtigkeit aus.

*Wenn Flüssigkeiten in ein Elektrowerkzeug eindringen, erhöht sich das Stromschlagrisiko.*

- d) Verwenden Sie die Anschlusschnur nicht missbräuchlich. Tragen Sie das Elektrowerkzeug niemals an der Anschlusschnur, ziehen Sie es nicht damit heran und ziehen Sie den Stecker nicht an der Anschlusschnur aus der Steckdose. Halten Sie die Anschlusschnur von Hitzequellen, Öl, scharfen Kanten und beweglichen Teilen fern. Beschädigte oder verdrehte Anschlusschnüre erhöhen das Stromschlagrisiko.

- e) Wenn Sie ein Elektrowerkzeug im Freien benutzen, verwenden Sie ein für den Außeneinsatz geeignetes Verlängerungskabel. Ein für den Außeneinsatz geeignetes Kabel vermindert das Stromschlagrisiko.

#### 3) Persönliche Sicherheit

- a) Bleiben Sie wachsam, achten Sie auf das, was Sie tun, und setzen Sie Ihren Verstand ein, wenn Sie mit Elektrowerkzeugen arbeiten.

**Benutzen Sie keine Elektrowerkzeuge, wenn Sie müde sind oder unter Einfluss von Drogen, Alkohol oder Medikamenten stehen.**

*Bei der Arbeit mit Elektrowerkzeugen können bereits kurze Phasen der Unaufmerksamkeit zu schweren Verletzungen führen.*

- b) **Benutzen Sie Schutzausrüstung. Tragen Sie immer einen Augenschutz.**

*Schutzausrüstung wie Staubmaske, rutschsichere Sicherheitsschuhe, Schutzhelm und Gehörschutz senken das Verletzungsrisiko bei angemessenem Einsatz.*

- c) **Vermeiden Sie unbeabsichtigten Anlauf. Achten Sie darauf, dass sich der Schalter in der Aus-(Off-) Position befindet, ehe Sie den Stecker einstecken.**

*Das Herumtragen von Elektrowerkzeugen mit dem Finger am Schalter und das Einstecken des Steckers bei betätigtem Schalter zieht Unfälle regelrecht an.*

- d) **Entfernen Sie sämtliche Einstellwerkzeuge (Einstellschlüssel), ehe Sie das Elektrowerkzeug einschalten.**

*Ein an einem beweglichen Teil des Elektrowerkzeugs angebrachter Schlüssel kann zu Verletzungen führen.*

- e) **Sorgen Sie für einen festen Stand. Achten Sie jederzeit darauf, sicher zu stehen und das Gleichgewicht zu bewahren.**

*Dadurch haben Sie das Elektrowerkzeug in unerwarteten Situationen besser im Griff.*

- f) **Kleiden Sie sich richtig. Tragen Sie keine lose Kleidung oder Schmuck. Halten Sie Haar, Kleidung und Handschuhe von beweglichen Teilen fern.**

*Lose Kleidung, Schmuck oder langes Haar kann von beweglichen Teilen erfasst werden.*

- g) **Wenn Anschlüsse für Staubabsaug- und -sammelvorrichtungen vorhanden sind, sorgen Sie dafür, dass diese richtig angeschlossen und eingesetzt werden.**

*Die Verwendung solcher Vorrichtungen kann Staub-bezogene Gefahren mindern.*

#### 4) Einsatz und Pflege von Elektrowerkzeugen

- a) **Überansprechen Sie Elektrowerkzeuge nicht. Benutzen Sie das richtige Elektrowerkzeug für Ihren Einsatzzweck.**

*Das richtige Elektrowerkzeug erledigt seine Arbeit bei bestimmungsgemäßem Einsatz besser und sicherer.*

- b) **Benutzen Sie das Elektrowerkzeug nicht, wenn es sich nicht am Schalter ein- und ausschalten lässt.**

*Jedes Elektrowerkzeug, das nicht mit dem Schalter betätigt werden kann, stellt eine Gefahr dar und muss repariert werden.*

- c) **Ziehen Sie den Netzstecker, ehe Sie Einstellarbeiten vornehmen, Zubehörteile tauschen oder das Elektrowerkzeug verstauen. Solche präventiven Sicherheitsmaßnahmen verhindern den unbeabsichtigten Anlauf des Elektrowerkzeugs und die damit verbundenen Gefahren.**

- d) Lagern Sie nicht benutzte Elektrowerkzeuge außerhalb der Reichweite von Kindern, lassen Sie nicht zu, dass Personen das Elektrowerkzeug bedienen, die nicht mit dem Werkzeug selbst und/oder diesen Anweisungen vertraut sind. *Elektrowerkzeuge in ungeschulten Händen sind gefährlich.*
- e) Halten Sie Elektrowerkzeuge in Stand. Prüfen Sie auf Fehlausrichtungen, sicheren Halt und Leichtgängigkeit beweglicher Teile, Beschädigungen von Teilen und auf jegliche andere Zustände, die sich auf den Betrieb des Elektrowerkzeugs auswirken können. Bei Beschädigungen lassen Sie das Elektrowerkzeug reparieren, ehe Sie es benutzen. *Viele Unfälle mit Elektrowerkzeugen sind auf schlechte Wartung zurückzuführen.*
- f) Halten Sie Schneidwerkzeuge scharf und sauber. *Richtig gewartete Schneidwerkzeuge mit scharfen Schneidkanten bleiben weniger häufig hängen und sind einfacher zu beherrschen.*
- g) Benutzen Sie Elektrowerkzeuge, Zubehör, Werkzeugspitzen und Ähnliches in Übereinstimmung mit diesen Anweisungen und auf die für das jeweilige Elektrowerkzeug bestimmungsgemäße Weise – beachten Sie dabei die jeweiligen Arbeitsbedingungen und die Art und Weise der auszuführenden Arbeiten. *Der bestimmungswidrige Einsatz von Elektrowerkzeugen kann zu gefährlichen Situationen führen.*

- 5) Service
  - a) Lassen Sie Elektrowerkzeuge durch qualifizierte Fachkräfte und unter Einsatz passender, zugelassener Originalteile warten. *Dies sorgt dafür, dass die Sicherheit des Elektrowerkzeugs nicht beeinträchtigt wird.*

**VORSICHT**  
 Von Kindern und gebrechlichen Personen fernhalten. Werkzeuge sollten bei Nichtgebrauch außerhalb der Reichweite von Kindern und gebrechlichen Personen aufbewahrt werden.

**VORSICHTSMASSNAHMEN FÜR DIE BENUTZUNG BOHRMASCHINE**

1. Tragen Sie bei der Arbeit mit Schlagbohrmaschinen einen Gehörschutz. Starke und/oder dauerhafte Lärmbelastung kann zu Gehörverlust führen.
2. Benutzen Sie die mit dem Werkzeug gelieferten Zusatzgriffe. Wenn Sie die Kontrolle über das Werkzeug verlieren, kann es zu Verletzungen kommen.
3. Niemals Handschuhe während der Arbeit tragen. Handschuhe können sich manchmal in bewegenden Teilen verfangen und zu schweren Verletzungen führen.
4. Den Seitengriff anbringen und das Werkzeug mit beiden Händen festhalten. Festhalten mit einer einzigen Hand während der Arbeit ist sehr gefährlich. Wenn das Werkzeug nicht richtig festgehalten wird, können dadurch schwere Beschädigungen während des Betriebs entstehen.
5. Bevor man in eine Wand, in Decken oder Böden bohrt, muß man sich davon überzeugen, daß keine elektrischen Kabel darunter liegen.

**TECHNISCHE DATEN**

Spannung (nach Bereichen)*	(110V, 115V, 120V, 127V, 220V, 230V, 240V) ∩	
Leistungsaufnahme	720 W*	
Leerlaufdrehzahl	550 min <sup>-1</sup>	
Kapazität	Stahl	13 mm
	Holz	40 mm
Gewicht (ohne Kabel)	3 kg	

\* Überprüfen Sie das Typenschild am Erzeugnis, da Änderungen je nach Bereich jederzeit vorbehalten bleiben.

**STANDARDZUBEHÖR**

- (1) Spannfutterschlüssel ..... 1
  - (2) Seitengriff ..... 1
- Das Standardzubehör kann ohne vorherige Bekanntmachung jederzeit geändert werden.

**SONDERZUBEHÖR (separat zu beziehen)**

- (1) Handgriff-Verbindungsstück
  - (2) Tiefenstopper
- Das sonderzubehör kann ohne vorherige Bekanntmachung jederzeit geändert werden.

**ANWENDUNGEN**

- Bohren in Metall, Holz und Kunststoff.

**VOR INBETRIEBNAHME**

1. **Netzspannung**  
 Prüfen, daß die zu verwendende Netzspannung der Angabe auf dem Typenschild entspricht.
2. **Netzschalter**  
 Prüfen, daß der Netzschalter auf "AUS" steht. Wenn der Stecker an das Netz angeschlossen ist, Während der Schalter auf "EIN" steht, beginnt das Werkzeug sofort zu laufen und bedeutet ernsthafte Gefahr.
3. **Verlängerungskabel**  
 Wenn der Arbeitsbereich nicht in der Nähe des Netzanschlusses liegt, ist ein Verlängerungskabel



ausreichenden Querschnitts und ausreichender Nennleistung zu verwenden. Das Verlängerungskabel sollte so kurz wie möglich gehalten werden.

#### 4. **Richtung der Bohrerspitze nachprüfen**

Die Bohrerspitze dreht sich nach rechts (von der Hinterseite aus gesehen), wenn der Rückfuhrhebel auf „R“ eingestellt ist; sie dreht sich nach links, wenn der Rückfuhrhebel auf „L“ eingestellt ist.

#### 5. **Einsetzen des Bohrers**

Der Bohrer wird in das Bohrfutter eingesetzt und der Bohrfutterschlüssel zum Festziehen benutzt. Zum Festziehen der Backen wird zweckmäßigerweise der Bohrfutterschlüssel nacheinander in jedes der drei Löcher gesteckt.

#### 6. **Wahl des angemessenen Bohrers**

- Beim Bohren von Metall oder Plastik  
Verwenden Sie normale Bohrer für Metallbearbeitung.  
Die Größen reichen von 1,2mm bis zur Maximal-Spannweite des Bohrfutters.
- Beim Bohren von Holz:  
Verwenden Sie normale Bohrer für Holz.  
Verwenden Sie jedoch Bohrer für Metallbearbeitung für Löcher mit einem Durchmesser von 6,5 mm oder weniger.

#### 7. **Anbringen des Spatengriffes**

Der Spatengriff kann an der Hinterseite des Bohrers angebracht werden. Den Bolzen durch das Loch des Spatengriffes führen, den Spatengriff in erwünschte Lage einstellen und den Bolzen fest anziehen.

#### 8. **Anbringen des Seitengriffes**

Der Seitengriff schraubt sich in das Gehäuse und beide Seiten des Getriebedeckels ein. Für sicheren Betrieb ist die Benutzung des Seitengriffes notwendig. Besonders für Hochleistungsbohren den Griffanschluß und Seitengriff benutzen.

#### 9. **Anbringen des Tiefenstoppers (wahlweises Zubehör)**

Der Tiefenstopper ist zur Einstellung der Bohrtiefe dienlich, und ist dazu wahlweise erhältlich. Den Tiefenstopper in den Getriebedeckel einsetzen und zwar mit Hilfe des Seitengriffes oder der Ansatzschraube.

---

## PRAKTISCHE ARBEITSWEISE

---

#### 1. **Druck**

Das Bohren wird durch Ausübung eines starken Drucks auf den Bohrer nicht beschleunigt. Zusätzlicher Druck führt nur zu einem beschädigten Bohrer, verminderter Bohrleistung und/oder verkürzter Lebensdauer der Bohrmaschine.

#### 2. **Verwendung eines Bohrers mit großem Durchmesser**

Je größer der Bohrerdurchmesser um so stärker ist die auf den Arm rückwirkende Kraft. Man muß darauf achten, daß man aufgrund dieser rückwirkenden Kraft nicht die Kontrolle über die Bohrmaschine verliert. Für eine gute Kontrolle ist ein sicherer Stand erforderlich. Man muß die Bohrmaschine mit beiden Händen festhalten und dafür sorgen, daß die Bohrmaschine senkrecht zum Material steht, in das gebohrt wird.

#### 3. **Beim Durchbohren durch das Material**

Wenn der Bohrer ganz durch das Material bohrt, führt eine unachtsame Handhabung oft zu einem

abgebrochenen Bohrer oder einer Beschädigung des Bohrgenäuses selbst aufgrund der plötzlichen Bewegung der Bohrmaschine. Man muß immer darauf gefaßt und bereit sein, den Druck beim Durchbohren des Materials zu verringern.

#### 4. **Betätigung des Schalters**

- (1) **Tiggerschalter**  
Durch Betätigung des Drückerschalters und Eindrücken der Arretierung wird der Schalter für kontinuierliches Bohren auf „Ein“ gehalten. Für das Ausschalten wird der Drückerschalter erneut betätigt und losgelassen.
- (2) **Rückstellschalter**  
Dieser Bohrer kann entweder nach rechts (für Bohren) oder nach links (für Auslösen der Bohrerspitze) durch Einstellung des Rückstellschalters drehen.

#### **VORSICHT**

Niemals die Drehrichtung wechseln, während der Motor in Betrieb ist.

#### 5. **Vorsichtsmaßnahmen beim Bohren**

Der Bohrer kann während des Betriebs überhitzt werden, er ist jedoch noch hinreichend funktionsfähig. Den Bohrer nicht in Wasser oder Öl kühlen.

#### 6. **Vorsichtsmaßnahmen unmittelbar nach der Benutzung**

Unmittelbar nach der Benutzung kann Staub in den Bohrmechanismus gesaugt werden, wenn sich die Bohrmaschine noch dreht und an eine Stelle gelegt wird, wo sich erhebliche Mengen Bohrspäne und Staub angesammelt haben. Auf diese unerwünschte Möglichkeit ist immer zu achten.

---

## WARTUNG UND INSPEKTION

---

#### 1. **Inspektion der Bohrer**

Da ein abgenutzter Bohrer Fehlfunktion des Motors und verringerte Wirksamkeit verursacht, sollten Sie die Bohrer sofort schärfen durch neue ersetzen, wenn Verschleiß festgestellt wird.

#### 2. **Inspektion der Befestigungsschraube**

Alle Befestigungsschrauben werden regelmäßig inspiziert und geprüft, daß sie richtig angezogen sind. Wenn sich eine der Schrauben lockert, muß sie sofort wieder angezogen werden. Geschieht das nicht, kann das zu erheblicher Gefahr führen.

#### 3. **Wechsel der Kohlenbürsten**

Der Motor ist mit Kohlenbürsten, die Vebachsteile sind, ausgestattet. Wenn sie abgenutzt sind, kann das zu schlechtem Funktionieren des Motors führen. Sie sind deshalb gegen neue Bürsten auszutauschen, wenn sie bis zur Verschleißgrenze abgenutzt sind. Die Bürsten sauber halten, so daß sie frei und leicht im Bürstenhalter gleiten. Beim Bürstenwechsel unbedingt Bürsten, die für den Hitachi Elektro-Bohrer von Typ D13 vorgesehen sind und der Nummer der technischen Daten entsprechen verwenden. Auto-Stop Kohlenbürsten schalten automatisch den Stromkreis aus, wenn sie bis zur Verschleißgrenze abgenutzt sind. Dadurch wird die Wechselzeit der Bürsten angezeigt, um Schaden am Wechselschalter zu vermeiden.

#### 4. **Austausch einer Kohlebürste**

Der Bürstendeckel wird mit einem Steckschlüssel abmontiert. Dann kann die Kohlebürste leicht entfernt werden.

## 5. Wartung des Motors

Die Motorwicklung ist das "Herz" des Elektrowerkzeugs. Daher ist besonders sorgfältig darauf zu achten, daß die Wicklung nicht beschädigt und/oder mit Öl oder Wasser benetzt wird.

## 6. Liste der Wartungsteile

A : Punkt Nr.

B : Code Nr.

C : Verwendete Anzahl

D : Bemerkungen

## ACHTUNG

Reparatur, Modifikation und Inspektion von Hitachi-Elektrowerkzeugen müssen durch ein Autorisiertes Hitachi-Wartungszentrum durchgeführt werden.

Diese Teileliste ist hilfreich, wenn sie dem Autorisierten Hitachi-Wartungszentrum zusammen mit dem Werkzeug für Reparatur oder Wartung ausgehändigt wird.

Bei Betrieb und Wartung von Elektrowerkzeugen müssen die Sicherheitsvorschriften und Normen beachtet werden.

## MODIFIKATIONEN

Hitachi-Elektrowerkzeuge werden fortwährend verbessert und modifiziert, um die neuesten technischen Fortschritte einzubauen.

Dementsprechend ist es möglich, daß einige Teile (z.B. Codenummern bzw. Entwurf) ohne vorherige Benachrichtigung geändert werden.

---

## ANMERKUNG

Aufgrund des ständigen Forschungs - und Entwicklung programms von HITACHI sind Änderungen der hierin gemachten technischen Angaben vorbehalten.

---

---

## Information über Betriebslärm und Vibration

Die gemessenen Werte wurden entsprechend EN60745 bestimmt und in Übereinstimmung mit ISO 4871 ausgewiesen.

Gemessener A-gewichteter Schallpegel: 97 dB (A)

Gemessener A-gewichteter Schalldruck: 86 dB (A)

Messunsicherheit KpA: 3 dB (A)

Bei der Arbeit immer einen Ohrenschutz tragen.

Der typische gewogene quadratische Mittelwert der Beschleunigung überschreitet 2,5 m/s<sup>2</sup> nicht.

---

## ΓΕΝΙΚΑ ΜΕΤΡΑ ΑΣΦΑΛΕΙΑΣ

### ΠΡΟΣΟΧΗ!

#### Διαβάστε όλες τις οδηγίες

Αν δεν τηρηθούν όλες οι οδηγίες που αναφέρονται παρακάτω, ενδέχεται να προκληθεί ηλεκτροπληξία, πυρκαγιά ή/και σοβαρός τραυματισμός.

Ο όρος “ηλεκτρικό εργαλείο” σε όλες τις προειδοποιήσεις που αναφέρονται παρακάτω αναφέρεται στο ηλεκτρικό εργαλείο που λειτουργεί με το ρεύμα του ηλεκτρικού δικτύου (με καλώδιο) ή στο ηλεκτρικό εργαλείο που λειτουργεί με μπαταρία (χωρίς καλώδιο).

### ΦΥΛΑΞΤΕ ΑΥΤΕΣ ΤΙΣ ΟΔΗΓΙΕΣ

#### 1) Χώρος εργασίας

- Διατηρείτε το χώρο εργασίας καθαρό και καλά φωτισμένο.**  
Οι ακατάστατοι και οι σκοτεινοί χώροι έχουν την τάση να προκαλούν ατυχήματα.
- Μη χρησιμοποιείτε τα ηλεκτρικά εργαλεία σε εκρηκτικές ατμόσφαιρες, όπως όταν είναι παρόντα εύφλεκτα υγρά, αέρια ή σκόνη.**  
Τα ηλεκτρικά εργαλεία δημιουργούν σπινθήρες οι οποίοι ενδέχεται να προκαλέσουν την ανάφλεξη αυτών των υλικών.
- Κρατήστε τα παιδιά και τους παρευρισκόμενους μακριά όταν χρησιμοποιείτε ένα ηλεκτρικό εργαλείο.**  
Αν αποσπαστεί η προσοχή σας, υπάρχει κίνδυνος να χάσετε τον έλεγχο.

#### 2) Ηλεκτρική ασφάλεια

- Τα φως των ηλεκτρικών εργαλείων πρέπει να είναι κατάλληλα για τις πρίζες.**  
Μην τροποποιήσετε ποτέ το φως με οποιονδήποτε τρόπο.  
Μη χρησιμοποιείτε φως προσαρμογής με γειωμένα ηλεκτρικά εργαλεία.  
Τα μη τροποποιημένα φως και οι κατάλληλες πρίζες μειώνουν τον κίνδυνο ηλεκτροπληξίας.
- Αποφύγετε τη σωματική επαφή με γειωμένες επιφάνειες όπως σωλήνες, θερμάστρες, μαγειρικές συσκευές και ψυγεία.**  
Υπάρχει αυξημένος κίνδυνος ηλεκτροπληξίας όταν το σώμα σας είναι γειωμένο.
- Μην εκθέτετε τα ηλεκτρικά εργαλεία στη βροχή ή σε συνθήκες υγρασίας.**  
Το νερό που εισέρχεται σε ένα ηλεκτρικό εργαλείο αυξάνει τον κίνδυνο ηλεκτροπληξίας.
- Μην ασκείτε δύναμη στο καλώδιο. Μη χρησιμοποιείτε ποτέ το καλώδιο για να μεταφέρετε, να τραβήξετε ή να βγάλετε από την πρίζα το ηλεκτρικό εργαλείο.**  
Κρατήστε το καλώδιο μακριά από θερμότητα, λάδι, κοφτερές γωνίες και κινούμενα μέρη.  
Τα κατεστραμμένα ή μπερδεμένα καλώδια αυξάνουν τον κίνδυνο ηλεκτροπληξίας.
- Όταν χρησιμοποιείτε το εργαλείο σε εξωτερικό χώρο, χρησιμοποιήστε καλώδιο προέκτασης που προορίζεται για χρήση σε εξωτερικό χώρο.**  
Η χρήση ενός καλωδίου κατάλληλου για εξωτερικό χώρο μειώνει τον κίνδυνο ηλεκτροπληξίας.

#### 3) Προσωπική ασφάλεια

- Να είστε σε ετοιμότητα, να βλέπετε αυτό που κάνετε και να χρησιμοποιείτε την κοινή λογική όταν χρησιμοποιείτε ένα ηλεκτρικό εργαλείο.**  
Μη χρησιμοποιείτε ηλεκτρικά εργαλεία όταν είστε κουρασμένοι ή υπό την επίδραση ναρκωτικών ουσιών, οινοπνεύματος ή φαρμάκων.  
Μια στιγμή απροσεξίας κατά τη χρήση ενός ηλεκτρικού εργαλείου μπορεί να προκαλέσει σοβαρό προσωπικό τραυματισμό.
  - Χρησιμοποιείτε εξοπλισμό ασφαλείας, Να φοράτε πάντοτε προστατευτικά γυαλιά για τα μάτια.**  
Εξοπλισμός ασφαλείας όπως μάσκα για τη σκόνη, αντιολισθητικά υποδήματα, σκληρό κάλυμμα κεφαλής ή προστατευτικά ακοής που χρησιμοποιούνται στις αντίστοιχες συνθήκες μειώνουν τις πιθανότητες τραυματισμού.
  - Να αποφύγετε την κατά λάθος έναρξη λειτουργίας. Να δεβαίνετε ότι ο διακόπτης είναι στην κλειστή θέση (off) πριν τοποθετήσετε το φως στην πρίζα.**  
Η μεταφορά ηλεκτρικών εργαλείων με το δάχτυλο στο διακόπτη λειτουργίας ή η σύνδεση ηλεκτρικών εργαλείων στο ρεύμα με το διακόπτη ανοιχτό αυξάνει τις πιθανότητες ατυχήματος.
  - Να αφαιρείτε τυχόν κλειδιά ρυθμιζόμενου ανοιγμού ή τα απλά κλειδιά πριν θέσετε σε λειτουργία το ηλεκτρικό εργαλείο.**  
Ένα απλό κλειδί ή ένα κλειδί ρυθμιζόμενου ανοιγμού που είναι προσαρτημένο σε περιστρεφόμενο εξάρτημα του ηλεκτρικού εργαλείου μπορεί να προκαλέσει προσωπικό τραυματισμό.
  - Μην τεντώνετε. Να διατηρείτε πάντοτε το κατάλληλο πάτημα και την ισορροπία σας.**  
Με αυτόν τον τρόπο μπορείτε να ελέγχετε καλύτερα το ηλεκτρικό εργαλείο σε μη αναμενόμενες καταστάσεις.
  - Να είστε ντυμένοι κατάλληλα. Μη φοράτε φαρδιά ρούχα ή κοσμήματα. Να κρατάτε τα μαλλιά σας, τα ρούχα σας και τα γάντια σας μακριά από κινούμενα μέρη.**  
Τα φαρδιά ρούχα, τα κοσμήματα και τα μακριά μαλλιά μπορεί να πιαστούν σε κινούμενα μέρη.
  - Αν παρέχονται εξάρτημα για τη σύνδεση συσκευών εξαγωγής και συλλογής σκόνης, να δεβαίνετε ότι είναι συνδεδεμένα και χρησιμοποιούνται με το σωστό τρόπο.**  
Η χρήση αυτών των συσκευών μπορεί να μειώσει τους κινδύνους που σχετίζονται με τη σκόνη.
- #### 4) Χρήση και φροντίδα ηλεκτρικών εργαλείων
- Μην ασκείτε δύναμη στο ηλεκτρικό εργαλείο. Να χρησιμοποιείτε το ηλεκτρικό εργαλείο που είναι κατάλληλο για το είδος της εργασίας που εκτελείτε.**  
Το κατάλληλο ηλεκτρικό εργαλείο θα εκτελέσει την εργασία καλύτερα και με μεγαλύτερη ασφάλεια με τον τρόπο που σχεδιάστηκε.
  - Μη χρησιμοποιήσετε το ηλεκτρικό εργαλείο αν ο διακόπτης λειτουργίας δεν ανοίγει και δεν κλείνει.**  
Ένα ηλεκτρικό εργαλείο που δεν ελέγχεται από το διακόπτη λειτουργίας είναι επικίνδυνο και πρέπει να επισκευαστεί.
  - Βγάλετε το φως από την πρίζα πριν κάνετε οποιαδήποτε ρυθμίσεις, αλλάξτε εξάρτηματα ή αποθηκεύσετε το ηλεκτρικό εργαλείο.**

Αυτά τα προληπτικά μέτρα ασφαλείας μειώνουν τον κίνδυνο να ξεκινήσει το ηλεκτρικό εργαλείο κατά λάθος.

- d) **Αποθηκεύετε τα εργαλεία που δεν χρησιμοποιείτε μακριά από παιδιά και μην αφήνετε τα άτομα που δεν είναι εξοικειωμένα με το ηλεκτρικό εργαλείο ή με αυτές τις οδηγίες να χρησιμοποιούν το ηλεκτρικό εργαλείο.**

Τα ηλεκτρικά εργαλεία είναι επικίνδυνα στα χέρια μη εκπαιδευμένων ατόμων.

- e) **Συντηρείτε τα ηλεκτρικά εργαλεία. Να ελέγχετε την ευθυγράμμισή τους ή το μπλοκάρισμα των κινούμενων μερών, τη θραύση των εξαρτημάτων και οποιαδήποτε άλλη κατάσταση που ενδέχεται να επηρεάσει τη λειτουργία του ηλεκτρικού εργαλείου.**

**Σε περίπτωση βλάβης, το ηλεκτρικό εργαλείο πρέπει να επισκευαστεί πριν χρησιμοποιηθεί.**

Πολλά ατυχήματα προκαλούνται από ηλεκτρικά εργαλεία που δεν έχουν συντηρηθεί σωστά.

- f) **Διατηρείτε τα εργαλεία κοπής κοφτερά και καθαρά.** Τα κατάλληλα συντηρημένα εργαλεία κοπής με κοφτερές γωνίες μπλοκάρουν πιο δύσκολα και ελέγχονται πιο εύκολα.

- g) **Χρησιμοποιείτε το ηλεκτρικό εργαλείο, τα εξαρτήματα, τις μύτες των εργαλείων κλπ. σύμφωνα με αυτές τις οδηγίες και με τρόπο που είναι κατάλληλος για τον συγκεκριμένο τύπο ηλεκτρικού εργαλείου, λαμβάνοντας υπόψη τις συνθήκες εργασίας και την εργασία που πρόκειται να εκτελεστεί.**

Η χρήση του ηλεκτρικού εργαλείου σε λειτουργίες διαφορετικές από εκείνες για τις οποίες προορίζεται μπορεί να δημιουργήσει επικίνδυνες καταστάσεις.

## 5) Σέρβις

- a) **Να δίνετε το ηλεκτρικό εργαλείο για σέρβις σε κατάλληλα εκπαιδευμένα άτομα και να χρησιμοποιείτε μόνο γνήσια ανταλλακτικά.**

Με αυτόν τον τρόπο είστε σίγουροι για την ασφάλεια του ηλεκτρικού εργαλείου.

## ΠΡΟΦΥΛΑΞΗ

**Μακριά από τα παιδιά και τους αναπήρους.**

**Όταν δεν χρησιμοποιούνται, τα εργαλεία πρέπει να φυλάσσονται μακριά από τα παιδιά και τους αναπήρους.**

## ΠΡΟΦΥΛΑΚΤΙΚΑ ΜΕΤΡΑ ΓΙΑ ΤΗ ΧΡΗΣΗ ΤΟΥ ΑΡΑΠΑΝΟ

- Φοράτε πάντα ωτοασπίδες κατά τη χρήση του δραπάνου. Έκθεση στον θόρυβο μπορεί να καλέσει απώλεια ακοής.
- Χρησιμοποιήστε τις βοηθητικές λαβές που επισυνάπτονται με τον εργαλείο. Απώλεια ελέγχου μπορεί να καλέσει τραυματισμό.
- Ποτέ μη φοράτε γάντια κατά τη λειτουργία. Μερικές φορές τα γάντια πιάνονται στα περιστρεφόμενα μέρη, προκαλώντας σοβαρό τραυματισμό. Μη χρησιμοποιήτε γάντια κατά τη λειτουργία.
- Τοποθετήστε την πλευρική λαβή και κρατήστε το εργαλείο σταθερά και με τα δυο σας χέρια. Η λειτουργία του εργαλείου με το ένα χέρι είναι πολύ επικίνδυνη. Πάντοτε να στερεώνετε την πλευρική λαβή και να κρατάτε το εργαλείο και με τα δυο σας χέρια. Το κράτημα του εργαλείου με λάθος τρόπο μπορεί να προκαλέσει σοβαρή ζημιά ή τραυματισμό.
- Πριν από το τρύπημα σε τοίχους, ταβάνια ή πατώματα, σιγουρευτείτε ότι δεν υπάρχουν κρυμμένα ηλεκτρικά καλώδια στο εσωτερικό.

## ΤΕΧΝΙΚΑ ΧΑΡΑΚΤΗΡΙΣΤΙΚΑ

Τάση (ανά περιοχές)*	(110V, 115V, 120V, 127V, 220V, 230V, 240V) ~
Ισχύς εισόδου	720 W*
Ταχύτητα χωρίς φορτίο	550 min <sup>-1</sup>
Ικανότητα	Ατσάλι
	Ξύλο
Βάρος (χωρίς το καλώδιο)	3 kg

\* Βεβαιωθείτε να ελέγξετε την πινακίδα στο προϊόν επειδή υπόκεινται σε αλλαγή σε εξάρτηση από την περιοχή.

## ΚΑΝΟΝΙΚΑ ΕΞΑΡΤΗΜΑΤΑ

- (1) Κλειδί σφιξίματος..... 1  
 (2) Πλευρική λαβή..... 1  
 Τα κανονικά εξαρτήματα μπορούν να αλλάξουν χωρίς προειδοποίηση.

## ΠΡΟΑΙΡΕΤΙΚΑ ΕΞΑΡΤΗΜΑΤΑ

- (1) Ένωση λαβής  
 (2) Στόπερ Βάθους  
 Τα προαιρετικά εξαρτήματα υπόκεινται σε αλλαγή χωρίς προειδοποίηση.

## ΕΦΑΡΜΟΓΕΣ

- Τρύπημα σε μέταλλο, ξύλο και πλαστικά

## ΠΡΙΝ ΤΗ ΛΕΙΤΟΥΡΓΙΑ

### 1. Πηγή ρεύματος

Βεβαιωθείτε ότι η πηγή ρεύματος που πρόκειται να χρησιμοποιηθεί είναι εναρμονισμένη με τις απαιτήσεις σε ρεύμα που αναφέρεται στην πινακίδα του εργαλείου.

## 2. Διακόπτης ρεύματος

Βεβαιωθείτε ότι ο διακόπτης ρεύματος βρίσκεται στη θέση OFF. Αν το βίσμα είναι στη μπρίζα καθώς ο διακόπτης ρεύματος βρίσκεται στο ON, το εργαλείο θα αρχίσει να λειτουργεί αμέσως, με πιθανότητα πρόκλησης σοβαρού ατυχήματος.

## 3. Καλώδιο προέκτασης

Όταν ο χώρος εργασίας βρίσκεται μακριά από την παροχή ρεύματος. Χρησιμοποιήστε ένα καλώδιο προέκτασης με κατάλληλο πάχος και ικανότητα μεταφοράς ρεύματος. Το καλώδιο προέκτασης πρέπει να είναι τόσο κοντό όσο είναι πρακτικά δυνατό.

## 4. Σιγουρευτείτε για την κατεύθυνση της περιστροφής της λεπίδας

Η λεπίδα τρυπήματος περιστρέφεται δεξιόστροφα (όταν το βλέπουμε από πίσω) όταν ο μοχλός του διακόπτη αντιστροφής είναι στην θέση «R», και περιστρέφεται κατά την αντίστροφη φορά όταν ο μοχλός του διακόπτη αντιστροφής είναι στη θέση «L».

## 5. Στερέωση της λεπίδας τρυπήματος

Στερεώστε την λεπίδα τρυπήματος στον σφιγκτήρα και χρησιμοποιήστε το κλειδί του σφιγκτήρα για να την ασφαλίσετε, σφίγγοντας τον σφιγκτήρα σε κάθε μια από τις τρεις τρύπες με τη σειρά.

## 6. Επιλέξτε την κατάλληλη λεπίδα τρυπήματος

- Όταν ανοίγετε τρύπες σε μέταλλο και πλαστικό. Χρησιμοποιήστε κοινές λεπίδες τρυπήματος για μέταλλο.

Τα μεγέθη κυμαίνονται από το ελάχιστο 1.2mm μέχρι τη μέγιστη ικανότητα του σφιγκτήρα.

- Όταν ανοίγετε τρύπες για ξύλο. Χρησιμοποιήστε κοινές λεπίδες τρυπήματος για ξύλο.

Όμως όταν ανοίγετε τρύπες των 6.5 χιλ ή μικρότερες, χρησιμοποιήστε μια λεπίδα τρυπήματος για εργασία σε μέταλλο.

## 7. Στερέωση της λαβής φτυαριού

Η λαβή φτυαριού στερεώνεται στην πίσω πλευρά του δράπανου. Εισάγετε το μπουλόνι μέσα από την τρύπα της λαβής φτυαριού, τοποθετήστε την λαβή φτυαριού στην επιθυμητή θέση και σφίξτε το μπουλόνι καλά.

## 8. Στερέωση της πλευρικής λαβής

Η πλευρική λαβή βιδώνεται πάνω στο περιβλήμα σε μια ή από τις δυο πλευρές του καλύμματος του οδοντωτού τροχού. Για ασφαλή λειτουργία, η χρήση της πλευρικής λαβής είναι απαραίτητη. Ειδικά σε βαριές δουλειές, χρησιμοποιήστε την ένωση λαβής και την πλευρική λαβή.

## 9. Στερέωση του στόπερ βάθους (προαιρετικό εξάρτημα)

Το στόπερ βάθους που χρησιμοποιεί για την ρύθμιση του βάθους τρυπήματος είναι διαθέσιμο (σαν προαιρετικό εξάρτημα). Στερεώστε το στόπερ βάθους στο κάλυμμα του οδοντωτού τροχού χρησιμοποιώντας την πλευρική λαβή ή το σετ βίδας.

## 2. Χρήση λεπίδας τρυπήματος με μεγάλη διάμετρο

Όσο μεγαλύτερη η διάμετρος της λεπίδας τρυπήματος, τόσο μεγαλύτερη η δύναμη αντίδρασης στο χέρι σας. Προσέξτε μη χάσετε τον έλεγχο του δράπανου λόγω αυτής της δύναμης αντίδρασης. Για να διατηρήσετε σταθερό έλεγχο, στριψίτε καλά τα πόδια σας, κρατήστε καλά το δράπανο και με τα δυο σας χέρια, και σιγουρευτείτε ότι το δράπανο είναι κάθετο με το αντικείμενο που τρυπάτε.

## 3. Για πλήρες τρύπημα του αντικειμένου

Όταν η λεπίδα τρυπήματος κάνει ένα πλήρες τρύπημα στον αντικείμενο, απρόσδεκτη χρήση συχνά προκαλεί σπάσιμο της λεπίδας τρυπήματος ή ζημιά στο δράπανο από την αιφνίδια κίνηση.

Πάντοτε να είστε σε ετοιμότητα προσεκτικά να ελαττώστε τη δύναμη ώθησης όταν κάνετε πλήρες τρύπημα ενός αντικειμένου.

## 4. Λειτουργία του διακόπτη

### (1) Διακόπτης σκανδάλη

Όταν πιέζεται ο διακόπτης σκανδάλη και πατηθεί το στόπερ, ο διακόπτης μένει στη θέση ON για συνεχές τρύπημα. Για να σταματήσετε το δράπανο, ξαναπιέστε τον διακόπτη σκανδάλη και απελευθερώστε.

### (2) Διακόπτης αναστροφής

Αυτό το δράπανο μπορεί να περιστραφεί δεξιόστροφα (για τρύπημα) και αριστερόστροφα (για απελευθέρωση της λεπίδας τρυπήματος) με τη λειτουργία του διακόπτη αναστροφής.

## ΠΡΟΣΟΧΗ

Ποτέ μην αλλάζετε την κατεύθυνση της περιστροφής όταν λειτουργεί το μοτέρ. Σβήστε τον διακόπτη πριν αλλάξετε την κατεύθυνση της περιστροφής.

## 5. Προφυλάξεις για άνοιγμα τρυπών

Η λεπίδα τρυπήματος μπορεί να υπερθερμανθεί κατά τη λειτουργία, όμως είναι ακόμα αρκετά αποδοτική. Μη κρυνώνετε την λεπίδα τρυπήματος σε νερό ή λάδι.

## 6. Προσοχή για τα λεπτά αμέσως μετά την χρήση

Αμέσως μετά τη χρήση, όταν ακόμα το μοτέρ περιστρέφεται, εάν το δράπανο τοποθετηθεί σε μέρος που έχουν συγκεντρωθεί αρκετά ροκανίδια γρέζα, και σκόνη, σκόνη μπορεί περιστασιακά να απορροφηθεί στο μηχανισμό του δράπανου. Πάντοτε δίνετε προσοχή για αυτή τη ανεπιθύμητη περίπτωση.

## ΣΥΝΤΗΡΗΣΗ ΚΑΙ ΕΛΕΓΧΟΣ

### 1. Έλεγχος των λεπίδων του δράπανου

Επειδή η χρήση των φθαρμένων λεπίδων θα προκαλέσει την δυσλειτουργία του μοτέρ και την μειωμένη αποδοτικότητα, αντικαταστήστε τις λεπίδες του δράπανου με καινούργιες ή ακονίστε τις χωρίς καθυστέρηση όταν παρατηρηθεί η φθορά.

### 2. Έλεγχος των βιδών στερέωσης

Ελέγχετε περιοδικά όλες τις βίδες στερέωσης και βεβαιωθείτε ότι είναι κατάλληλα σφικμένες. Στην περίπτωση που χαλαρώσει οποιαδήποτε βίδα σφίξτε την ξανά αμέσως. Αν δεν το κάνετε αυτό μπορεί να έχει ως αποτέλεσμα το σοβαρό τραυματισμό.

### 3. Επιθεώρηση στα καρβουνάκια

Το μοτέρ χρησιμοποιεί καρβουνάκια που είναι αναλώσιμα εξαρτήματα.

## ΠΡΑΚΤΙΚΕΣ ΔΙΑΔΙΚΑΣΙΕΣ ΧΡΗΣΗΣ

### 1. Πίση

Το τρύπημα ΔΕΝ επιταχύνεται με μεγάλη πίση στο δράπανο. Τέτοια ενέργεια απλώς θα προκαλέσει ζημιά στην λεπίδα τρυπήματος, μειωμένη αποδοτικότητα του τρυπήματος και/ή μειωμένη ζωή του δράπανου.

Εάν τα καρβουνάκια φαγωθούν, το μοτέρ μπορεί να έχει πρόβλημα. Όταν τα καρβουνάκια φαγωθούν μέχρι τη γραμμή του ορίου, αλλάξτε τα με καινούργια. Διατηρείτε τα καρβουνάκια καθαρά για να γλιστρούν στις θήκες τους.

Όταν αλλάζετε τα καρβουνάκια με καινούργια, σιγουρευτείτε ότι χρησιμοποιήσατε ένα ζευγάρι καρβουνάκια για HITACHI ELECTRIC δράπανο μοντέλο D13 που αντιστοιχεί με τον εικονιζόμενο αριθμό. Καρβουνάκια Auto-stop διακόπτουν αυτόματα το ηλεκτρικό κύκλωμα, όταν φαγωθούν μέχρι τη γραμμή του ορίου.

Αυτό μας δείχνει την ώρα για τη αλλαγή στα καρβουνάκια και αποτρέπει ζημιά του μεταλλάκτη ρεύματος.

#### 4. Αντικατάσταση των καρβουνακίων

Αποσυνδέστε τα καλύμματα των καρβουνακίων με ένα κατσαβίδι εγκοπτόμενης κεφαλής. Τα καρβουνάκια μπορούν μετά να αφαιρεθούν εύκολα.

#### 5. Συντήρηση του μοτέρ

Η περιέλιξη της μονάδα του μοτέρ είναι η καρδιά του ηλεκτρικού εργαλείου. Δώστε μεγάλη προσοχή για να σιγουρευτείτε ότι η περιέλιξη δεν θα πάθει ζημιά και / ή θα βρεχθεί με λάδι ή νερό.

#### 6. Λίστα συντήρησης των μερών

A: Αρ. Αντικειμένου

B: Αρ. Κωδικού

C: Αρ. που χρησιμοποιήθηκε

D: Παρατηρήσεις

#### ΠΡΟΣΟΧΗ

Η επισκευή, η τροποποίηση και ο έλεγχος των Ηλεκτρικών Εργαλείων Hitachi πρέπει να γίνεται από ένα Εξουσιοδοτημένο Κέντρο Σέρβις της Hitachi.

Αυτή η Λίστα των Μερών θα είναι χρήσιμη αν παρουσιαστεί μαζί με το εργαλείο στο Εξουσιοδοτημένο Κέντρο Σέρβις της Hitachi όταν ζητάτε επισκευή ή κάποια άλλη συντήρηση.

Κατά τον έλεγχο και τη συντήρηση των ηλεκτρικών εργαλείων, οι κανόνες ασφαλείας και οι κανονισμοί που υπάρχουν σε κάθε χώρα πρέπει να ακολουθούνται.

#### ΤΡΟΠΟΠΟΙΗΣΗ

Τα Ηλεκτρικά Εργαλεία Hitachi βελτιώνονται συνεχώς και τροποποιούνται για να συμπεριλάβουν τις τελευταίες τεχνολογικές προόδους.

Κατά συνέπεια, ορισμένα τμήματα (δηλ. κωδικοί αριθμοί και / ή σχεδιασμός) μπορούν να αλλάξουν χωρίς προηγούμενη ειδοποίηση.

#### Πληροφορίες που αφορούν τον εκπεμπόμενο θόρυβο και τη δόνηση

Οι τιμές μετρήθηκαν σύμφωνα με το EN60745 και βρέθηκαν σύμφωνα με το ISO 4871.

Μέτρηση στάθμης ισχύος ήχου εξισορροπημένου A: 97 dB (A)

Μέτρηση στάθμης πίεσης ήχου εξισορροπημένου A: 86 dB (A)

Αβεβαιότητα ΚρΑ: 3 dB (A)

Φοράτε προστατευτικά αυτιών.

Η τυπική τιμή ρίζας μέσης τετραγωνικής επιτάχυνσης δεν είναι μεγαλύτερη από 2,5 m/s<sup>2</sup>

#### ΣΗΜΕΙΩΣΗ

Εξαιτίας του συνεχιζόμενου προγράμματος έρευνας και ανάπτυξης της Hitachi τα τεχνικά χαρακτηριστικά που εδω αναφέρονται μπορούν να αλλάξουν χωρίς προηγούμενη ειδοποίηση.

## OGÓLNE WSKAZÓWKI BEZPIECZEŃSTWA

### OSTRZEŻENIE!

#### Należy przeczytać wszystkie instrukcje

Nieprzestrzeganie któregokolwiek z zamieszczonych poniżej zaleceń może być przyczyną porażenia prądem elektrycznym, pożaru i/lub poważnych obrażeń ciała. Występujące w poniższych ostrzeżeniach wyrażenie "urządzenie elektryczne" oznacza urządzenia zasilane z sieci elektrycznej (za pomocą przewodu) lub baterii (bezprowodowo).

### INSTRUKCJE POWINNY BYĆ ZACHOWANE NA PRZYSZŁOŚĆ

#### 1) Miejsce pracy

- a) **Miejsce pracy powinno być uprzątnięte i czyste.**  
*W miejscach nieuporządkowanych i źle oświetlonych ryzyko wypadku jest większe.*
- b) **Nie należy używać urządzeń elektrycznych w przypadku zagrożenia wybuchem, na przykład w obecności łatwopalnych płynów, gazów lub pyłów.**  
*Urządzenia elektryczne wytwarzają iskry, które mogą spowodować zapłon pyłu.*
- c) **Dzieci i osoby postronne nie powinny znajdować się w pobliżu pracującego urządzenia elektrycznego.**  
*Odwrócenie uwagi użytkownika może spowodować utratę kontroli nad urządzeniem.*

#### 2) Bezpieczeństwo elektryczne

- a) **Wtyczka urządzenia elektrycznego musi być odpowiednia do gniazdka.**  
**Nigdy nie należy w jakikolwiek sposób przerabiać wtyczki.**  
**Nie używać jakichkolwiek elementów łączących z urządzeniami wymagającymi uziemienia.**  
*Używanie tylko oryginalnych wtyczek pasujących do gniazdka ogranicza ryzyko porażenia prądem elektrycznym.*
- b) **Unikać kontaktu z przedmiotami uziemionymi, takimi jak rury, kaloryfery, kuchenki i urządzenia chłodnicze.**  
*W przypadku dotykania uziemienia ryzyko porażenia prądem elektrycznym jest większe.*
- c) **Nie narażać urządzeń elektrycznych na działanie deszczu lub wilgoci.**  
*Przedostanie się wody do urządzenia zwiększa ryzyko porażenia prądem elektrycznym.*
- d) **Odpowiednio używać przewodów zasilających. Nigdy nie wykorzystywać przewodu do przenoszenia lub ciągnięcia urządzenia lub też wyciągania wtyczki z gniazdka.**  
**Utrzymywać przewód z dala od źródeł ciepła, oleju, ostrych krawędzi lub części ruchomych.**  
*Uszkodzenie lub nacięcie przewodu zwiększa ryzyko porażenia prądem elektrycznym.*
- e) **Podczas pracy z urządzeniem elektrycznym na wolnym powietrzu należy używać odpowiedniego przedłużacza.**  
*Używanie przedłużacza przeznaczonego do pracy na wolnym powietrzu zmniejsza ryzyko porażenia prądem elektrycznym.*

#### 3) Bezpieczeństwo osobiste

- a) **Podczas pracy z urządzeniem elektrycznym należy zachowywać koncentrację i planować wykonywane zadania, kierując się zdrowym rozsądkiem.**  
**Urządzenia elektryczne nie powinny obsługiwać osoby zmęczone lub znajdujące się pod wpływem substancji odurzających, alkoholu lub lekarstw.**  
*Chwila nieuwagi podczas pracy z urządzeniem może stać się przyczyną poważnych obrażeń.*
- b) **Używać wyposażenia ochronnego. Zawsze nosić okulary ochronne.**  
*Używanie wyposażenia ochronnego, takiego jak maski przeciwpyłowe, buty przeciwpoślizgowe, odpowiednie nakrycie głowy i słuchawki ogranicza ryzyko obrażeń ciała.*
- c) **Unikać nieprzewidzianego uruchomienia urządzenia. Przed włożeniem wtyczki do gniazdka upewnić się, że urządzenie jest wyłączone.**  
*Przenoszenie urządzenia z palcem na wyłączniku lub podłączenie do sieci włączonego urządzenia może spowodować wypadek.*
- d) **Przed włączeniem urządzenia usunąć wszelkiego rodzaju klucze regulacyjne.**  
*Pozostawienie klucza w ruchomej części urządzenia może spowodować obrażenia.*
- e) **Nie trzymać urządzenia zbyt daleko od siebie. Zachować stabilną pozycję przez cały czas.**  
*Umożliwia to pełne panowanie nad urządzeniem, nawet w nieoczekiwanych sytuacjach.*
- f) **Nosić odpowiednią odzież. Nie należy nosić luźnych ubrań oraz biżuterii. Utrzymywać włosy, odzież i rękawice z dala od ruchomych części urządzenia.**  
*Luźne ubrania, biżuteria lub długie włosy mogą zostać wciągnięte przez poruszające się części.*
- g) **Jeżeli urządzenie wyposażone jest w system odprowadzania pyłu, powinien on być założony i właściwie używany.**  
*Użycie tego rodzaju urządzeń ograniczy zagrożenia związane z gromadzeniem się pyłu.*

#### 4) Obsługa i konserwacja urządzenia

- a) **Nie dociskać urządzenia zbyt mocno. Należy używać tylko właściwego urządzenia, odpowiedniego dla wykonywanej pracy.**  
*Użycie odpowiedniego urządzenia spowoduje, że praca zostanie wykonana lepiej i bezpieczniej.*
- b) **Nie używać urządzenia elektrycznego, którego wyłącznik jest niesprawny.**  
*Urządzenie, które nie może zostać wyłączone za pomocą wyłącznika, jest niebezpieczne i musi zostać przeznaczone do naprawy.*
- c) **Przed przystąpieniem do jakichkolwiek prac, jak na przykład wymiana akcesoriów, urządzenie musi zostać wyłączone z sieci. To samo dotyczy przechowywania urządzenia nieużywanego.**  
*Umożliwi to zmniejszenie ryzyka nieprzewidzianego uruchomienia urządzenia.*
- d) **Urządzenia elektryczne powinny być przechowywane poza zasięgiem dzieci oraz wszelkich osób nie znających zasad funkcjonowania i obsługi tego typu urządzeń.**

Obsługa urządzeń elektrycznych przez osoby nie znające zasad ich funkcjonowania jest niebezpieczna.

- e) **Wykonywać odpowiednie prace konserwacyjne. Kontrolować prawidłowość ustawienia części ruchomych, ich uszkodzenia i wszelkie inne kwestie, mogące spowodować nieprawidłową pracę urządzenia.**

**Uszkodzone urządzenie powinno zostać natychmiast przekazane do naprawy.**

*Wiele wypadków spowodowane jest niewłaściwą konserwacją urządzeń elektrycznych.*

- f) **Narzędzia tnące powinny być naostrzone i czyste. Odpowiednio naostrzone narzędzia nie będą się wyginać i są łatwiejsze w używaniu.**

- g) **Urządzenie elektryczne, akcesoria, wiertła itd. powinny być używane zgodnie z niniejszymi zaleceniami oraz w sposób odpowiadający wykonywanej pracy, przy uwzględnieniu warunków panujących w otoczeniu.**

*Wykorzystanie urządzenia elektrycznego do pracy, do której nie jest ono przeznaczone, grozi wypadkiem.*

## 5) Serwis

- a) **Urządzenie powinno być serwisowane tylko przez osoby posiadające odpowiednie kwalifikacje, przy użyciu wyłącznie identycznych, oryginalnych części zamiennych.**

*Zapewni to utrzymanie pełnego bezpieczeństwa pracy z urządzeniem.*

## ŚRODKI OSTROŻNOŚCI

**Dzieci i osoby niepełnosprawne nie powinny znajdować się w pobliżu urządzenia.**

**Nieużywane urządzenie powinno być przechowywane w miejscu poza zasięgiem dzieci i osób niepełnosprawnych.**

## ŚRODKI OSTROŻNOŚCI PRZY UŻYCIU WIERTARKI

- Podczas pracy z wiertarką udarową należy nosić słuchawki ochronne.  
Wysoki poziom hałasu może powodować utratę słuchu.
- Korzystać z uchwytych pomocniczych dostarczanych wraz z urządzeniem.  
Utrata kontroli nad urządzeniem może spowodować obrażenia ciała.
- Nigdy nie nosić rękawic podczas pracy.  
Rękawice mogą zostać wciągnięte przez obracającą się część urządzenia, co może spowodować poważne obrażenia. Nie należy używać rękawic podczas pracy.
- Założyć uchwyt boczny i mocno utrzymać urządzenie obiema rękami.  
Trzymanie urządzenia tylko jedną ręką jest bardzo niebezpieczne. Należy zawsze założyć uchwyt boczny i utrzymać urządzenie obiema rękami. Brak panowania nad urządzeniem podczas pracy może spowodować poważne obrażenia ciała.
- Przed rozpoczęciem wiercenia w ścianach, sufitach lub posadzkach należy upewnić się, że nie są w nich ukryte kable pod napięciem.

## DANE TECHNICZNE

Napięcie (w zależności od miejsca)*	(110V, 115V, 120V, 127V, 220V, 230V, 240V) <sup>~</sup> U	
Moc pobierana	720 W*	
Prędkość obrotowa bez obciążenia	550 min <sup>-1</sup>	
Możliwości	Stal	13 mm
	Drewno	40 mm
Waga (bez kabla)	3 kg	

\* Sprawdź nazwę produktu, jako że ulega ona zmianie w zależności od miejsca zakupu.

## WYPOSAŻENIE STANDARDOWE

- (1) Klucz uchwyty..... 1  
 (2) Boczny uchwyt..... 1  
 Wyposażenie standardowe może ulec zmianie bez uprzedzenia.

## MOŻLIWE WYPOSAŻENIE DODATKOWE (sprzedawane oddzielnie)

- (1) Złącze uchwyty  
 (2) Ogranicznik głębokości  
 Dodatkowe akcesoria mogą ulec zmianie bez uprzedzenia.

## ZASTOSOWANIE

- Wiercenie w metalu, drewnie i tworzywach sztucznych.

## PRZED UŻYCIEM

- Źródło mocy**  
Upewnij się, że źródło mocy jest zgodne z wymogami mocy zaznaczonymi przy nazwie produktu.
- Przełącznik**  
Upewnij się, że przełącznik jest wyłączony (pozycja OFF). Jeśli wtyczka jest włączona do prądu podczas gdy przełącznik jest włączony (pozycja ON), narzędzie zacznie działać natychmiast, co może spowodować poważny wypadek.
- Przedłużacz**  
Kiedy miejsce pracy znajduje się daleko od źródła prądu, użyj przedłużacza o wystarczającym przekroju. Przedłużacz powinien być tak krótki jak tylko jest to możliwe.
- Określanie kierunku obrotu wiertła**  
Wiertło obraca się w kierunku zgodnym z ruchem wskazówek zegara (patrząc od tyłu), kiedy dźwignia przełącznika ustawiona zostanie w położeniu



oznaczonym symbolem "R" oraz w kierunku przeciwnym do ruchu wskazówek zegara, kiedy dźwignia przełącznika ustawiona zostanie w położeniu oznaczonym "L".

#### 5. Zakładanie wiertła

Włożyć wiertło do uchwyty, a następnie zamocować za pomocą klucza do uchwyty wiertarskiego, zaciskając uchwyt po kolei poprzez trzy otwory.

#### 6. Wybór odpowiedniego wiertła

- Do wiercenia w metalu lub plastyku  
Używaj normalnych wiertel do metalu.  
Zakres średnic wiertła wynosi od 1,2 mm do średnicy maksymalnej.
- Do wiercenia w drewnie  
Używaj normalnych wiertel do drewna.  
Przy wierceniu otworów mniejszych niż 6,5 mm używaj jednak wiertel do metalu.

#### 7. Zakładanie uchwyty szpadlowego

Uchwyt szpadlowy może zostać założony w tylnej części urządzenia. Należy włożyć śrubę do otworu uchwyty szpadlowego, umieścić uchwyt w odpowiednim położeniu i mocno dokręcić śrubę.

#### 8. Zakładanie uchwyty bocznego

Uchwyt boczny może zostać przykręcony do budowy po każdej stronie pokrywy. Dla zapewnienia pełnego bezpieczeństwa konieczne jest używanie uchwyty bocznego. Szczególnie w przypadku prac z dużym obciążeniem należy używać uchwyty bocznego ze złączem.

#### 9. Zakładanie ogranicznika głębokości (akcesorium opcjonalne)

Wraz z urządzeniem dostarczany jest ogranicznik, umożliwiający ustawienie maksymalnej głębokości wiercenia. Ogranicznik głębokości może zostać przymocowany do budowy za pośrednictwem uchwyty bocznego lub śruby nastawczej.

## PRAKTYCZNE ZASADY OBSŁUGI

### 1. Nacisk

Wiercenie NIE będzie szybsze przy mocniejszym dociskaniu wiertła. Może to jedynie spowodować uszkodzenie wiertła, zmniejszenie wydajności pracy i/ lub skrócenie żywotności wiertarki.

### 2. Używanie wiertel o dużej średnicy

Im większa średnica wiertła, tym większa siła wywierana na rękę operatora. Należy uważać, aby z powodu tej siły nie utracić panowania nad wiertarką. Należy stać stabilnie i mocno utrzymywać wiertarkę obiema rękami, pamiętając, aby wiertło było ustawione prostopadłe do materiału.

### 3. Przewiercanie otworów w materiale

Jeżeli materiał ma zostać przewiercony na wylot, należy uważać, aby wiertło lub sama wiertarka nie zostały uszkodzone z powodu nagłego ruchu urządzenia do przodu z chwilą przewiercenia materiału. Należy zawsze zachować ostrożność i nie dociskać zbyt mocno urządzenia podczas przewiercania otworów.

### 4. Wyłącznik

#### (1) Spust włącznika

Po wciśnięciu spustu włącznika i dociśnięciu ogranicznika włącznik pozostanie w pozycji ON (włączony), a urządzenie będzie pracować bez przerwy. Aby wyłączyć urządzenie, należy nacisnąć ponownie i zwolnić spust włącznika.

#### (2) Przełącznik kierunku obrotów

Wiertło może obracać się w kierunku zgodnym z ruchem wskazówek zegara (wiercenie) lub w kierunku przeciwnym (uwalnianie wiertła) - zmiana kierunku następuje za pomocą przełącznika.

### UWAGA

Nie należy nigdy zmieniać kierunku obrotu wiertła, kiedy silnik urządzenia pracuje. Przed zmianą kierunku obrotu należy wyłączyć urządzenie.

#### 5. Środki ostrożności podczas wiercenia

Podczas pracy wiertło może nagrzewać się, jednak najczęściej nie zakłóca to jego funkcjonowania. Nie należy chłodzić wiertła wodą lub olejem.

#### 6. Środki ostrożności, jakie należy zachować natychmiast po zakończeniu pracy

Zraz po zakończeniu pracy, kiedy wiertło jeszcze się obraca, nie należy zbliżać go do miejsc, w których nagromadził się pył lub wióry - mogą one zostać wciągnięte do wnętrza urządzenia przez mechanizm wiertła. Należy zawsze brać pod uwagę taką możliwość.

## KONSERWACJA I INSPEKCJA

### 1. Kontrola wiertel

Jako, że używanie tępych wiertel powoduje niewłaściwą pracę silnika i zmniejsza wydajność wiertarki, jeśli zauważysz, że wiertło się stępilo niezwłocznie wymień je na nowe lub naostrz.

### 2. Sprawdzanie śrub mocujących

Regularnie sprawdzaj wszystkie mocujące śruby i upewnij się, że są mocno przykręcone. Jeśli któraś z nich się obluzuje, natychmiast ją przykręć. Zaniedbanie tego może spowodować poważne zagrożenie.

### 3. Kontrola stanu szczotek węglowych

Silnik wyposażony jest w używające się szczotki węglowe.

Kiedy szczotki są zużyte, silnik może pracować nieprawidłowo. Kiedy szczotki zużyją się aż do zaznaczonej linii, należy wymienić je na nowe. Szczotki powinny być czyszczone systematycznie, tak aby mogły swobodnie ślizgać się w uchwytach.

Szczotki powinny być wymieniane tylko na nową parę szczotek przeznaczonych do WIERTAREK ELEKTRYCZNYCH HITACHI typu D13, zgodnie z pokazanym numerem. System automatycznego zatrzymywania szczotek węglowych automatycznie odcina zasilanie, kiedy szczotki są zużyte.

Informuje to użytkownika o konieczności wymiany szczotek i zapobiega uszkodzeniu komutatora.

### 4. Wymiana szczotek węglowych

Rozlóż nakrywkę szczotek używając rowkowanego śrubokręta. Szczotki węglowe mogą być wtedy bezpiecznie wyjęte.

### 5. Konserwacja silnika

Wirkil silnika jest sercem narzędzia. Zadbaj, by wirnik nie został uszkodzony i nie zawilgotniał lub pokrył się olejem.

### 6. Lista części zamiennych

- A: Nr części
- B: Nr kodu
- C: Ilość użytych części
- D: Uwagi

### UWAGA

Naprawy, modyfikacji i kontroli Narzędzi Elektrycznych Hitachi może dokonywać tylko Autoryzowane Centrum Obsługi Hitachi.

Ta lista części będzie przydatna, jeśli zostanie wręczona Autoryzowanemu Centrum Obsługi Hitachi, gdy zanieśliemy narzędzie do naprawy lub przeglądu. Podczas używania i konserwacji narzędzi elektrycznych należy przestrzegać przepisów i norm bezpieczeństwa danego kraju.

#### **MODYFIKACJE**

Narzędzia elektryczne Hitachi są ciągle ulepszone i modyfikowane w celu wprowadzania najnowszych osiągnięć nauki i techniki

W związku z tym pewne części (a także numery kodów i konstrukcja) mogą ulec zmianom bez uprzedzenia.

---

#### **WSKAZÓWKA**

W związku z prowadzonym przez Hitachi programem badań i rozwoju, specyfikacje te mogą się zmienić w każdej chwili bez uprzedzenia.

---

---

---

#### **Informacja dotycząca poziomu hałasu i wibracji**

Mierzone wartości było określone według EN60745 i zadeklarowane zgodnie z ISO 4871.

Zmierzony poziom dźwięku A: 97 dB (A)

Zmierzone ciśnienie akustyczne A: 86 dB (A)

Niepewność KpA: 3 dB (A)

Używaj ochroniacza uszu.

Standardowo, średnia ważona kwadratowa wartości przyspieszenia nie przekracza 2,5 m/s<sup>2</sup>

---

---

## ÁLTALÁNOS BIZTONSÁGTECHNIKAI ELŐÍRÁSOK

### FIGYELEM!

#### **Olvassa végig az utasításokat**

*Az alábbi utasítások be nem tartása áramütést, tüzet és súlyos sérülést okozhat.*

*Az alábbi figyelmeztetésekben szereplő "elektromos szerszámgép" kifejezés az ön - hálózatról üzemeltetett (vezetékes) vagy akkumulátoros (vezeték nélküli) - elektromos szerszámgépére vonatkozik.*

### ŐRIZZE MEG AZ UTASÍTÁSOKAT

#### 1) A munkahely

- a) **A munkahelyet tartsa tisztán, és megfelelően világítsa meg.**  
*A túlzásfűtő és sötét munkahelyek vonzzák a baleseteket.*
- b) **Az elektromos szerszámgépeket ne használja robbanásveszélyes légterben, például gyúlékony folyadékok, gázok vagy por mellett.**  
*Az elektromos szerszámgépek szikrákat bocsáthatnak ki, melyek berobbanthatják a jelenlévő port.*
- c) **A szerszámgép működtetése közben tartsa távol a gyermekeket és a körülállókát.**  
*A figyelemelvonás a szerszámgép feletti kontroll elvesztését okozhatja.*

#### 2) Érintésvédelem

- a) **Az elektromos szerszámgép dugaszának illeszkednie kell a hálózati csatlakozójelzathoz.**  
**Semmilyen körülmények között ne módosítsa a dugaszt.**  
**Ne használjon semmilyen átalakító dugaszt a földelt elektromos szerszámgéppel.**  
*A módosítás nélküli dugaszok és a megfelelő aljzatok csökkentik az elektromos áramütés veszélyét.*
- b) **Ügyeljen arra, hogy munka közben ne érintsen meg földelt felületeket, pl. csővezetékeket, fűtőtesteket, tűzhelyeket vagy hűtőberendezéseket.**  
*Ha a kezelő teste földelve van, az áramütés veszélye megnő.*
- c) **Az elektromos szerszámgépeket ne tegye ki eső vagy nedvesség hatásának.**  
*Az elektromos szerszámgépbe kerülő víz növeli az áramütés veszélyét.*
- d) **Ne rongálja meg az elektromos csatlakozókábelet.**  
**A szerszámgépet ne hordozza a kábelnél fogva, és a villásdugót soha ne a kábelnél fogva húzza ki a dugaszolóaljzathoz.**  
**Védje a kábelt a magas hőmérsékletől, olajtól és az éles sarkoktól.**  
*A sérült vagy összegabalyodott vezetékek növelik az elektromos áramütés veszélyét.*
- e) **Ha a szabadban kell munkát végeznie, mindig csak az erre a célra alkalmas hosszabbító kábelt használjon.**  
*A kültéri használatra alkalmas hosszabbító használata csökkenti az elektromos áramütés veszélyét.*

#### 3) A testi épség védelme

- a) **Mindig figyeljen oda a végzett munkára. Az elektromos szerszámgéppel végzett munka teljes figyelmet igényel.**

**Ne használja a készüléket, ha nem érzi kipihentnek magát, ha kábítószer, alkohol vagy gyógyszer hatása alatt áll.**

*Egy pillanatnyi figyelmetlenség is súlyos sérülést okozhat.*

- b) **Használjon védőfelszerelést. Mindig használjon védőszemüveget.**  
*A védőfelszerelések, pl. a pormaszk, a csúszásbiztos biztonsági cipő, a védősisak és a füldugó használata csökkenti a sérülésveszélyt.*
  - c) **Kerülje a gép véletlenszerű beindítását. Mielőtt a csatlakozó dugót a dugaszolóaljzatba bedugja, mindig győződjék meg róla, hogy a készülék ki van kapcsolva.**  
*Ne tartsa ujját az indító kapcsolón, ha hordozza a készüléket, és ne csatlakoztasson bekapcsolt készüléket az áramforrásra.*
  - d) **Mielőtt a gépet bekapcsolja, mindig ellenőrizze, hogy kivette-e a készülékből a szerszámbeállító- illetve befogókulcsot.**  
*A forgó alkatrészben maradt szerszámbeállító- vagy befogókulcs személyi sérülést okozhat.*
  - e) **Ne nyútsa ki a kezét túl nagy távolságra. Munka közben mindig álljon stabilan, és őrizze meg az egyensúlyát.**  
*Így a váratlan helyzetekben sem veszti el a szerszám feletti uralmát.*
  - f) **Viseljen megfelelő munkaruhát. Munka közben ne viseljen bő öltözetet vagy ékszert. Haját, ruházatát és kesztyűjét tartsa távol a mozgó alkatrészekről.**  
*A bő öltözeteket, ékszereket vagy a hosszú haját a mozgó alkatrészek elkapathatják.*
  - g) **Ha a készülék rendelkezik porszivási, illetve -gyűjtési lehetőséggel, ügyeljen rá, hogy azok megfelelően legyenek csatlakoztatva és használva.**  
*A fenti eszközök használata csökkenti a por okozta veszélyt.*
- 4) **Az elektromos szerszámgép használata és karbantartása**
- a) **Ne erőltesse a szerszámot. Mindig az alkalmazásnak megfelelő szerszámot használjon.**  
*A megfelelő szerszámgép nominális teljesítményszinten jobban és biztonságosabban működik.*
  - b) **Ne használja a szerszámot, ha a kapcsoló azt nem kapcsolja megfelelően be, illetve ki.**  
*A kapcsolóval nem szabályozható szerszámgép veszélyes, és azt meg kell javítani.*
  - c) **Mindig húzza ki a dugaszoló aljzathoz a csatlakozó dugót, mielőtt a készüléket beállításokat végezne, kicserélné a tartozékokat, vagy mielőtt eltárolná a készüléket.**  
*A fenti biztonsági óvintézkedések csökkentik a készülék véletlenszerű bekapcsolásának veszélyét.*
  - d) **A használaton kívüli szerszámokat tárolja gyermekek által nem hozzáférhető helyen, és ne engedje, hogy a készüléket az üzemeltetéshez nem értő személyek használják.**  
*A gyakorlatlan használó kezében a szerszámgépek különösen nagy veszélyt jelentenek.*

- e) A szerszámgépek karbantartása. Ellenőrizze a mozgó alkatrészek illesztését, rögzítését, az alkatrészek esetleges repedését és minden olyan tulajdonságot, mely hatással lehet a munkavégzésre.

Meghibásodás esetén használat előtt javítsa meg a készüléket.

A nem megfelelő karbantartás sok balesetet okoz.

- f) A vágószerszámokat mindig tartsa élesen és tisztán.

A megfelelően karbantartott - éles vágóélű-vágószerszámok kisebb eséllyel görbülnek el, és könnyebben irányíthatók.

- g) Használja a szerszámgépet és a fúrófejeket stb. az utasításoknak és az adott szerszám gép rendeltetésének megfelelően, mindig figyelem véve a munkakörülményeket és az elvégzendő munka jellegét.

A szerszám gép rendeltetéstől eltérő használata veszélyt okozhat.

## 5) Javítás

- a) A szerszámot csak - eredeti cserealkatrészeket használó - szakképzett személlyel javíttassa.

Így biztosítható a szerszám gép biztonságos üzemeltetése.

## ÖVINTÉZKEDÉS

A gyermekeket és a felügyeletre szoruló személyeket tartsa távol az elektromos szerszámgéptől.

A használaton kívüli szerszámgépeket gyermekektől és felügyeletre szoruló személyektől elzárva kell tartani.

## A FÚRÓGÉP HASZNÁLATÁVAL KAPCSOLATOS ELŐVIGYÁZATOSSÁGI INTÉZKEDÉSEK

- Az útvefúró gép használata közben viseljen fülvédőt. A zajnak való kitettség halláskárosodást okozhat.
- Használja a szerszám géphez mellékelt kiegészítő fogantyút. Az ellenőrzés elvesztése személyi sérülést okozhat.
- Az üzemeltetés alatt soha ne viseljen kesztyűt. A kesztyűt a forgó részek néha bekapják, ezáltal súlyos sérülést eredményezve. Ne használjon kesztyűt az üzemeltetés során.
- Szerelje fel az oldalsó fogantyút, és mindkét kézzel tartsa szorosan a szerszámot. Az egy kezes üzemeltetés nagyon veszélyes. Mindig szerelje fel az oldalsó fogantyút, és mindkét kézzel tartsa a szerszámot. A szerszám elégtelen tartása súlyos sérülést eredményezhet az üzemeltetés során.
- Mielőtt befűr a falba, mennyezetre vagy a padlóba, győződjön meg róla, hogy nincsenek belül elrejtett áramvezetékek.

## MŰSZAKI ADATOK

Feszültség (terület szerint)*	(110V, 115V, 120V, 127V, 220V, 230V, 240V) ∪	
Névleges teljesítményfelvétel	720 W*	
Üresjárat fordulatszám	550 min <sup>-1</sup>	
Kapacitás	Acél	13 mm
	Fa	40 mm
Súly (tápkábel nélkül)	3 kg	

\* Ne felejtse el ellenőrizni a típustáblán feltüntetett adatokat, mivel ezek eladási területenként változnak!

## STANDARD TARTOZÉKOK

- (1) Tokmánykulcs ..... 1  
 (2) Oldalfogantyú ..... 1  
 A standard tartozékok előzetes tájékoztatás nélkül változhatnak.

## TETSZÉS SZERINT VÁLASZTHATÓ TARTOZÉKOK (külön megrendelésre)

- (1) Fogantyú csatlakozás  
 (2) Mélységmegállító  
 A tetszés szerint választható tartozékok előzetes bejelentés nélkül bármikor változhatnak.

## ALKALMAZÁSOK

- Fűrés fémben, fában és műanyagokban.

## AZ ÜZEMBEHELYEZÉS ELŐTTI TENNIVALÓK

- Áramforrás**  
Ügyeljen rá, hogy a készülék adattábláján feltüntetett feszültség értéke megegyezzen az alkalmazni kívánt hálózati feszültséggel.
- Hálózati kapcsoló**  
Ügyeljen rá, hogy a hálózati kapcsoló KI állásba legyen kapcsolva. Ha a csatlakozódugót úgy csatlakoztatja a dugaszolóaljzatba, hogy közben a hálózati kapcsoló BE állásban van, a kéziszerszám azonnal működésbe lép, ami súlyos balesetet idézhet elő.
- Hosszabbító vezeték**  
Ha a munkaterület az áramforrástól távol található, akkor egy megfelelő keresztmetszetű és teljesítményű hosszabbító vezetékét kell alkalmazni.
- Győződjön meg a fűró forgásirányáról**  
A fűróhegy (hátról nézve) az óra járásának irányába forog, amikor az irányváltó kapcsoló karja az "R" (jobb) helyzetbe van állítva, és az ellenkező irányba forog, amikor az irányváltó kapcsoló karja az "L" (bal) helyzetbe van állítva.

## 5. A fúróhegy beszerelése

Illesse be a fúróhegyet a tokmányba, és a rögzítéséhez használja a tokmánykulcsot, sorjában mindhárom furattal meghúzva a tokmányt.

## 6. A megfelelő fúróhegy kiválasztása

- Fém és műanyag fúrása esetén  
Használjon normál fém munkához való fúróhegyeket. A méretek minimálisan 1,2 mm-től a tokmány maximális kapacitásáig terjednek.
- Fa fúrása esetén  
Használjon normál famunkához való fúróhegyeket. Ha azonban 6,5 mm vagy ennél kisebb furatokat készít, használjon fém munkához való fúróhegyet.

## 7. Véső fogantyú felszerelése

A véső fogantyú a fúró hátára szerelhető fel. Tegye be a csavart a furaton keresztül a véső fogantyúba, helyezze a véső fogantyút a kívánt helyzetbe és szorosan húzza meg a csavart.

## 8. Az oldalsó fogantyú felszerelése

Az oldalsó fogantyú becsavarodik a házba a készülék burkolatának bármelyik oldalán. A biztonságos üzemeltetéshez szükséges az oldalsó fogantyú használata. Különösen erős igénybevételű fúrás esetén használja a fogantyú csatlakozást és az oldalsó fogantyút.

## 9. A mélységmegállító (opcionális tartozék) felszerelése

Kapható a fúrásmélység beállításához hasznos mélységmegállító. A mélységmegállítót a készülék burkolatához kell felszerelni az oldalsó fogantyú vagy az állítócsavar használatával.

## PRAKTIKUS KEZELÉSI ELJÁRÁSOK

### 1. Nyomás

A fúrás NEM gyorsul, ha erős nyomást gyakorol a fúróra. Az ilyen művelet csak sérült fúróhegyet, csökkent fúrási hatékonyságot, és/vagy a fúró rövidebb élettartamát eredményezi.

### 2. Nagy átmérőjű fúróhegy használata

Minél nagyobb a fúróhegy átmérője, annál nagyobb a karra visszaható erő. Legyen óvatos, hogy ezen visszaható erő miatt ne veszítse el a fúró kontrollját. A biztos kontroll fenntartásához vesse meg jól a lábát, mindkét kézzel tartsa szorosan a fúrót, és gondoskodjon róla, hogy a fúró a fúrt anyagra merőlegesen álljon.

### 3. Az anyag teljes keresztűlfúrása esetén

Amikor a fúróhegy teljesen keresztűlfúrja az anyagot, az óvatlan kezelés gyakran eredményez törött fúróhegyet, vagy magának a fúró testének a károsodását a fúró hirtelen mozdulata miatt. Legyen mindig elővigyázatos és felkészült a tolóerő elengedésére, amikor keresztűlfúrja az anyagot.

### 4. Kapcsoló működtetése

- (1) Indítókapcsoló  
Az indítókapcsoló meghúzásával és a megállító benyomásával a kapcsoló az ON (BE) helyzetben marad a folyamatos fúráshoz. A fúró kikapcsolásához húzza meg ismét az indítókapcsolót és engedje el.
- (2) Irányváltó kapcsoló  
Ez a fúró az irányváltó kapcsoló működtetésével egyaránt képes forogni az óra járásának irányába (fúráshoz) és az óra járásával ellentétes irányba (a fúróhegy kiengedéséhez).

## VIGYÁZAT

Soha ne változtassa meg a fúrás irányát, mialatt a motor forog. A forgásirány megváltoztatása előtt kapcsolja ki az áramkapcsolót.

### 5. Óvintézkedések fúrásnál

A fúróhegy működés közben túlhevülhet; ugyanakkor elengedően működőképes. Ne hűtse le a fúróhegyet vízben vagy olajban.

### 6. Közvetlenül a használat utánra vonatkozó óvatosság

Közvetlenül a használat után, amikor még forog, ha a fúrót olyan helyre teszi le, ahol jelentős mennyiségű forgács és por gyűlt össze, a por véletlenül beszívódhat a fúró mechanizmusába. "Mindig figyeljen erre a nem kívánatos lehetőségre.

## ELLENŐRZÉS ÉS KARBANTARTÁS

### 1. A fúróhegyek ellenőrzése

Miután az elkopott fúróhegyek használatát a motor hibás működését és a hatékonyság romlását okozhatja, a kopottság észlelésekor késedelem nélkül cserélje ki a fúróhegyeket új, vagy pedig megélezett hegyekre.

### 2. A rögzítő csavarok ellenőrzése

Rendszeresen ellenőrizzen minden rögzítő csavart, és ügyeljen rá, hogy azok megfelelően meg legyenek szorítva. Minden meglazult csavart azonnal szorítson meg. Ennek elhanyagolása súlyos veszélyeket hordoz magában.

### 3. A szénkefék ellenőrzése

A motor fogyóalkatrésznek számító szénkeféket alkalmaz.

Ha a kefék elkopnak, az motorproblémát eredményezhet. Amikor a kefék a határvonalig elkopnak, cserélje ki a keféket újakkal. Tartsa tisztán a keféket, hogy azok akadály nélkül csúszzanak be a kefetartókba.

Amikor a keféket újakkal cseréli ki, győződjön meg róla, hogy az ábrázolt számnak megfelelő, HITACHI VILLANYFÚRÓ D13 típusúhoz való kefépárt használ. Az automatikus megállító szénkefék automatikusan megszakítják az áramkört, amikor a kopási határig koptak le.

Ez jelzi a kefe cseréjének idejét és megakadályozza a kommutátor károsodását.

### 4. A szénkefék cseréje

Lapos csavarhúzó segítségével szerelje szét a szénkefetartó házakat. A szénkefék ekkor egyszerűen eltávolíthatók.

### 5. A motor karbantartása

A motor tekerceselése az elektromos szerszám "szíve". Gondosan ügyeljen rá, hogy a tekerceselés ne sérüljön, illetve ne kerüljön kapcsolatba olajjal vagy vízzel.

### 6. Szervizelési alkatrészlista

- A: Alkatrész-szám
- B: Kódszám
- C: Használt darabszám
- D: Megjegyzések

### FIGYELEM

Hitachi kéziszerszámok javítását, módosítását és ellenőrzését csak Hitachi Szakszervíz végezheti.

Javítás vagy egyéb karbantartás esetén hasznos ha ezt a szerviz-alkatrész listát a szerszámmal együtt átadjuk a Hitachi szakszervíznek.

A kéziszerszámok üzemeltetése és karbantartása során be kell tartani az egyes országokban érvényben lévő biztonsági rendelkezéseket és szabványokat.

**MÓDOSÍTÁSOK**

A Hitachi kéziszerszámok állandó tökéletesítéseken mennek át, hogy alkalmazni tudják a legújabb műszaki fejlesztések eredményeit.

Éppen ezért egyes alkatrészek (azok kódszámai illetve kiviteli módjai) előzetes bejelentés nélkül megváltozhatnak.

---

**MEGJEGYZÉS**

A HITACHI folyamatos kutatási és fejlesztési programja következtében az itt szereplő műszaki adatok előzetes bejelentés nélkül változhatnak.

---

---

**A környezeti zajra és vibrációra vonatkozó információk**

A mért értékek az EN60745 szabványnak megfelelően kerültek meghatározásra és az ISO 4871 alapján kerülnek közzétételre.

Mért A-súlyozású hangteljesítményszint: 97 dB (A)

Mért A-súlyozású hangnyomásszint: 86 dB (A)

Bizonytalanság KpA: 3 dB (A)

Viseljen hallásvédelmi eszközt.

A gyorsulás tipikus súlyozott négyzetes középértéke nem haladja meg a  $2,5\text{m/s}^2$  értéket.

---

---

## VŠEOBECNÉ BEZPEČNOSTNÍ PŘEDPISY

### UPOZORNĚNÍ!

#### Prostudujte si všechny pokyny

*Nedodržování všech níže uvedených pokynů může způsobit úraz elektrickým proudem, vznik požáru a/nebo vážné zranění. Pojem "elektrické nářadí" ve všech níže uvedených upozorněních se vztahuje na elektricky poháněné nářadí připojené (pomocí přívodní šňůry) k elektrické síti nebo na elektrické (bezšňurové) nářadí poháněné akumulátorem.*

### DODRŽUJTE TYTO POKYNY

#### 1) Pracovní prostor

- a) **Udržujte pracovní prostor v čistotě a zajistěte jeho dobré osvětlení.**  
*Neuspořádaný pracovní prostor a neosvětlené plochy mohou být příčinou nehod.*
- b) **Neprovozujte elektrické nářadí ve výbušných prostředích, jako je například prostor s výskytem hořlavých kapalin, plynů nebo prachu.**  
*Při provozu elektrického nářadí vznikají jiskry, které mohou vznítit prach nebo výparu.*
- c) **Zajistěte, aby se při provozu elektrického nářadí nezdřezovaly v blízkosti děti nebo okolostojící osoby.**  
*Odvedení pozornosti může způsobit ztrátu kontroly nad nářadím.*

#### 2) Elektrická bezpečnost

- a) **Zástrčky elektrického nářadí musí odpovídat používané zásuvce.**  
*Nikdy jakýmkoli způsobem neupravujte zástrčku. Nepoužívejte jakékoli rozvodné zástrčky s uzemněným (ukostřeným) elektrickým nářadím. Původní neupravené zástrčky a vhodné zásuvky snižují nebezpečí úrazu elektrickým proudem.*
- b) **Vyvarujte se kontaktu s uzemněnými nebo ukostřenými plochami, jako jsou např. trubky, radiátory, sporáky a chladničky.**  
*Vzniká zvýšené nebezpečí úrazu elektrickým proudem, pokud je Vaše tělo uzemněné nebo ukostřené.*
- c) **Nevystavujte elektrické nářadí dešti nebo mokřým podmínkám.**  
*Voda, která vnikne do elektrického nářadí, zvyšuje nebezpečí úrazu elektrickým proudem.*
- d) **Nezacházejte s přívodní šňůrou nevhodným způsobem. Nikdy nepoužívejte přívodní šňůru pro nošení, tahání nebo vypořádání elektrického nářadí. Zajistěte, aby se přívodní šňůra nedostala do kontaktu se zdroji tepla, olejem, ostrými hranami nebo pohyblivými se částmi.**  
*Poškozené nebo zauzlené přívodní šňůry zvyšují nebezpečí úrazu elektrickým proudem.*
- e) **Při práci s elektrickým nářadím ve vnějších prostorách používejte prodlužovací šňůru vhodnou pro venkovní použití.**  
*Použití přívodní šňůry vhodné pro venkovní prostředí snižuje nebezpečí úrazu elektrickým proudem.*

#### 3) Bezpečnost osob

- a) **Buďte při práci vždy pozorní, sledujte prováděnou práci a během práce s elektrickým nářadím postupujte rozumně.**  
*Nepoužívejte elektrické nářadí v případě únavy nebo pod vlivem drog, alkoholu nebo léků.*

*Pouhý okamžik nepozornosti při práci s elektrickým nářadím může způsobit vážné zranění.*

- b) **Používejte ochranné pomůcky. Vždy používejte ochranu zraku.**

*Ochranné pomůcky, jako jsou protiprachová maska, obuv s nekouzavou úpravou podrážky, ochranná přilba nebo chrániče sluchu použité pro vhodné podmínky sniží nebezpečí zranění.*

- c) **Zajistěte, aby nedošlo k náhodnému spuštění nářadí. Zabezpečte, aby vypínač byl před zapojením do sítě v poloze vypnuto.**

*Nošení elektrického nářadí s prstem na vypínači a připojování elektrického nářadí s vypínačem v poloze zapnuto může způsobit nehody.*

- d) **Před zapnutím elektrického nářadí vymontujte všechny seřizovací klíče.**

*Klíč upevněný na otáčející se části elektrického nářadí může způsobit zranění osob.*

- e) **Zajistěte náležitou stabilitu při práci. Během práce je třeba vždy zaujmout náležitý a stabilní postoj.**

*Tim se dosáhne lepšího ovládní elektrického nářadí v neočekávaných situacích.*

- f) **Při práci používejte vhodný oděv. Nepoužívejte volný oděv nebo šperky. Zajistěte, aby se Vaše vlasy, oděv nebo rukavice nedostaly do kontaktu s pohyblivými se částmi nářadí.**

*Volný oděv, šperky nebo dlouhé vlasy se mohou zachytit do pohyblivých se částí.*

- g) **Pokud se používají zařízení pro připojení odsávání prachu a sběrných zařízení, zajistěte jejich správné zapojení a použití.**

*Používejte tato zařízení pro snížení nebezpečí, která vznikají v prašném prostředí.*

#### 4) Použití a ošetřování elektrického nářadí

- a) **Netlačte na elektrické nářadí. Pro Váš způsob použití zvolte správné elektrické nářadí.**

*Správné elektrické nářadí provede práci lépe a bezpečněji rychleji, pro které bylo konstruováno.*

- b) **Nepoužívejte elektrické nářadí, pokud vypínač není funkční.**

*Jakékoli elektrické nářadí, které nelze ovládat vypínačem, je nebezpečné a je třeba je opravit.*

- c) **Při provádění jakýchkoli nastavení, změně příslušenství nebo uskladňování elektrického nářadí odpojte vždy zástrčku ze zdroje energie.**

*Tato preventivní bezpečnostní opatření snižují nebezpečí náhodného uvedení elektrického nářadí do chodu.*

- d) **Uložte nepoužívané elektrické nářadí mimo dosah dětí a nedovolte, aby osoby, které nejsou seznámeny s provozem elektrického nářadí a s těmito pokyny, toto elektrické nářadí používaly.**

*Elektrické nářadí je v rukou nevyškoleného uživatele nebezpečné.*

- e) **Provádějte údržbu elektrického nářadí. Zkontrolujte elektrické nářadí, zda je správně seřízené nebo nedochází k vážnutí chodu pohyblivých se částí, zda nejsou nějaké části poškozené a zda nevznikly jakékoli jiné poruchy, které mohou negativně ovlivnit provoz elektrického nářadí.**

*V případě poškození si nechejte elektrické nářadí před použitím opravit.*

*Velký počet nehod je způsobeno nedostatečnou údržbou elektrického nářadí.*

- f) **Udržujte řezné nástroje ostré a čisté.**  
*Správným způsobem udržované řezné nástroje s ostrými břity mají menší sklon k uváznutí a snadněji se při práci ovládají.*
- g) **Používejte elektrické nářadí, příslušenství, nástavce nástroje atd. ve shodě s těmito předpisy a způsobem stanoveným pro jednotlivý typ elektrického nářadí a přitom zohledněte pracovní podmínky a druh prováděné práce.**  
*Použití elektrického nářadí pro práce odlišné od stanoveného účelu použití může způsobit nebezpečné situace.*

**5) Servis**

- a) **Nechejte si provádět servis Vašeho elektrického nářadí kvalifikovanými opraváři a přitom používejte jen originální náhradní díly.**  
*Tím se zajistí zachování bezpečnosti elektrického nářadí.*

**PREVENTIVNÍ OPATŘENÍ**

**Zajistěte, aby děti a nemocné osoby se nezdržovaly v blízkosti.**

**Pokud se nářadí nepoužívá, je třeba je uskladnit mimo dosah dětí a nemocných osob.**

**BEZPEČNOSTNÍ UPOZORNĚNÍ PŘI POUŽITÍ VRTAČKY**

- U příklepových vrtaček používejte ochranu sluchu. V důsledku vystavení hluku může dojít ke ztrátě sluchu.
- Používejte pomocné rukojeti dodané s nářadím. V případě ztráty kontroly může dojít k poranění osob.
- Při práci nikdy nepoužívejte rukavice. Rukavice se někdy mohou zachytit rotujícími díly a způsobit tak vážné zranění. Při práci nepoužívejte rukavice.
- Nasaďte boční rukojeť a nářadí pevně přidržíte oběma rukama. Ovládání jednou rukou je velmi nebezpečné. Vždy nasaďte boční rukojeť a přidržíte nářadí oběma rukama. Nedostatečný úchop nářadí může vést k vážnému zranění.
- Před vrtáním do stěn, stropu nebo podlahy se ujistěte, nejsou-li pod povrchem skryté kabely.

**PARAMETRY**

Napětí (podle oblastí)*	(110V, 115V, 120V, 127V, 220V, 230V, 240V) ∩	
Vstupní příkon	720 W*	
Rychlost bez zatížení	550 min <sup>-1</sup>	
Kapacita	Ocel	13 mm
	Dřevo	40 mm
Váha (bez napájecího kabelu)	3 kg	

\* Zkontrolujte, prosíme, štítek na výrobku. Štítek podléhá změnám v závislosti na oblastech použití.

**STANDARDNÍ PŘÍSLUŠENSTVÍ**

- (1) Klíč pro sklíčidlo ..... 1  
 (2) Vysouvací držadlo ..... 1  
 Standardní příslušenství podléhá změnám bez upozornění.

**DOPLŇKOVÉ PŘÍSLUŠENSTVÍ (prodává se zvlášť)**

- (1) Spojka rukojeti  
 (2) Hloubkový doraz  
 Doplnky podléhají změnám bez předchozího upozornění.

**POUŽITÍ**

- Vrtání do kovů, dřeva a plastů.

**PŘED POUŽITÍM**

**1. Zdroj napětí**

Ujistěte se, že používaný zdroj napětí splňuje požadavky specifikované na štítku výrobku.

**2. Spínač**

Ujistěte se, že spínač je v poloze vypnuto. Pokud je zástrčka zasunuta v zásuvce elektrického proudu a spínač je v poloze „ON“, nástroj začne okamžitě pracovat, a to může způsobit vážný úraz.

**3. Prodlužovací kabel**

Pokud je pracoviště vzdáleno od zdroje, použijte prodlužovací kabel o správné tloušťce a kapacitě. Je třeba, aby prodlužovací kabel byl o nejkratší.

**4. Ujistěte se o správném směru otáčení vrtáku**

Vrták se otáčí ve směru hodinových ručiček (při pohledu zezadu), je-li páka přepínače směru v poloze "R", a opačným směrem, je-li páka přepínače směru v poloze "L".

**5. Upevnění vrtáku**

Upevněte vrták do sklíčidla a zajistěte pomocí klíče dotažením sklíčidla ve všech třech otvorech.

**6. Výběr vhodného vrtáku**

- Pro vrtání do kovu nebo plastu  
 Použijte standardní vrtáky pro obrábění kovů. Rozsah velikostí je od 1,2 mm do maximálního rozevření sklíčidla.
- Pro vrtání do dřeva  
 Použijte standardní vrtáky pro obrábění dřeva. Nicméně, při vrtání otvorů s průměrem 6,5 mm nebo menším použijte vrtáky pro obrábění kovů.

**7. Montáž třmenové rukojeti**

Třmenovou rukojeť lze upevnit v zadní části vrtačky. Do otvoru třmenové rukojeti vložte šroub, umístěte ji do požadované polohy a šroub pevně dotáhněte.

**8. Montáž boční rukojeti**

Boční rukojeť lze nasroubovat do tělesa z kterékoliv strany krytu převodu. Použití boční rukojeti je nezbytné



pro zajištění bezpečného provozu. Boční rukojeť použijte zejména pro vrtání při velkých zatíženích.

9. **Instalace hloubkového dorazu (volitelné příslušenství)**  
Pro nastavení hloubky vrtné díry je k dispozici hloubkový doraz. Hloubkový doraz namontujte do krytu převodu pomocí boční rukojeti nebo stavěcího šroubu.

---

## PRAKTICKÉ MANIPULAČNÍ POSTUPY

---

### 1. Tlak

Působením zvýšeného tlaku na vrták se vrtání NEURYLCHLÍ. Tyto praktiky mohou vést pouze k poškození vrtáku, nižší účinnosti vrtní a/nebo zkrácení životnosti vrtačky.

### 2. Použití vrtáku o velkém průměru

Čím větší je průměr vrtáku, tím větší reakční síla působí na Vaši paži. Buďte opatrní, abyste vlivem této reakční síly neztratili kontrolu nad vrtačkou. Pro udržení pevné kontroly zajistěte dobré opěrné body nohou, vrtačku uchopte pevně oběma rukama a udržujte ji ve vertikální poloze vzhledem k vrtnému materiálu.

### 3. Vrtání průchozích otvorů

Při vrtání průchozích otvorů může při nedbalém úchopu v důsledku náhlého pohybu dojít ke zlomení vrtáku nebo poškození tělesa vrtačky samotné. Buďte obezřetní a vždy připraveni v okamžiku provrtání materiálu uvolnit tlačnou sílu.

### 4. Ovládání přepínače

#### (1) Spouštěcí spínač

Pro trvalé vrtání nutno přepínač zajistit v poloze ON vytážením spouštěcího spínače a stisknutím pojistky. Pro vypnutí vrtačky (do polohy OFF) spouštěcí spínač znovu vytáhněte a uvolněte.

#### (2) Přepínač směru otáček

Pomocí tohoto přepínače lze tuto vrtačku přepínat jak do směru hodinových ručiček (pro vrtání), tak proti směru hodinových ručiček (pro uvolnění vrtáku).

### UPOZORNĚNÍ

Směr otáčení měňte pouze je-li motor v klidu. Před změnou směru otáčení vypněte hlavní napájení.

### 5. Opatření pro vyvrtávání

Během provozu se může vrtačka přehřívat; i přesto však je dostatečně provozuschopná. Vrták neochlazuje ve vodě ani v oleji.

### 6. Bezpečnostní pokyny po skončení práce

Bezprostředně po skončení práce vrtačku neodkládejte, pokud se ještě točí, do míst s nahromaděnou drtí a prachem, neboť může dojít k jejich nasátí do mechanismu vrtačky. Vždy si buďte vědomi této nežádoucí možnosti.

---

## ÚDRŽBA A KONTROLA

---

### 1. Kontrola vrtáků

Pročte použití opotřebovaného vrtáku způsobí přetěžování a poruchu motoru či jeho sníženou účinnost, vyměňte vrták za nový nebo naostřený vždy neprodleně poté, co si všimnete jeho otupení.

### 2. Kontrola šroubů

Pravidelně zkontrolujte všechny šrouby a ujistěte se, že jsou správně utažené. Pokud najdete některé šrouby uvolněné, ihned je utáhněte. Neutažené šrouby mohou vést k vážnému riziku.

### 3. Kontrola uhlíkových kartáčů

V motoru jsou použity uhlíkové kartáče, které podléhají opotřebení.

V důsledku opotřebení kartáčů může dojít k poruše motoru. Jsou-li kartáče opotřebované až po mezní rysku, vyměňte je za nové. Kartáče udržujte v čistotě tak, aby se hladce zasouvaly do držáků.

Při výměně kartáčů za nové se ujistěte, že nasazujete pár kartáčů pro ELEKTRICKÉ VRTAČKY HITACHI TYP D13 odpovídajících ilustrovanému číslu. V okamžiku opotřebení uhlíkových kartáčků nad příslušnou mez dojde k automatickému vypnutí elektrického obvodu. Tím je dána doba výměny kartáčků a zajištěna prevence před poškozením komutátoru.

### 4. Výměna uhlíkových kartáčků

Šroubovákem sejměte kryty kartáčků. Poté lze kartáčky lehce vyjmout.

### 5. Údržba motoru

Vinutí motoru je srdce elektrického zařízení. Ujistěte se, že vinutí není poškozené nebo vlhké vodou nebo olejem.

### 6. Seznam servisních položek

A: Číslo položky

B: Kód položky

C: Číslo použití

D: Poznámky

### POZOR

opravy, modifikace a kontroly zařízení Hitachi musí provádět Autorizované servisní středisko Hitachi.

Tento seznam servisních položek bude užitečný, předložíte-li jej s vaším zařízením Autorizovanému servisnímu středisku Hitachi společně s požadavkem na opravu nebo další servis.

Při obsluze a údržbě elektrických zařízení musí být dodržovány bezpečnostní předpisy a normy platné v každé zemi, kde je výrobek používán.

### MODIFIKACE

Výrobky firmy Hitachi jsou neustále zdokonalovány a modifikovány tak, aby se zavedly nejposlednější výsledky výzkumu a vývoje.

Následně, některé díly (např. čísla kódů nebo návrh) mohou být změněny bez předešlého oznámení.

---

### POZNÁMKA

Vlivem státě pokračujícího výzkumného a vývojového programu HITACHI mohou zde uvedené parametry podléhat změnám bez předchozího upozornění.

---

### Informace o hluku a vibracích

Měřené hodnoty byly určeny podle EN60745 a deklarovány ve shodě s ISO 4871.

Změřená vážená hladina akustického výkonu A: 97 dB (A)  
Změřená vážená hladina akustického tlaku A: 86 dB (A)  
Neurčitost KpA: 3 dB (A)

Použijte ochranu sluchu.

Typická vážená odmocnina znamená, že hodnota zrychlení nesmí přestoupit hodnotu 2,5 m/s<sup>2</sup>.

---

## GENEL GÜVENLİK KURALLARI

### DİKKAT!

#### Bütün talimatları okuyun

Aşağıda belirtilen talimatların tümünün uygulamaması, elektrik çarpması, yangın ve/veya ciddi yaralanmalarla sonuçlanabilir.

Aşağıdaki uyarılarda belirtilen "Elektrikli alet" terimi, işletilen (kablolu) veya (kablesiz) ana elektrik aletlerini kapsar.

### BU TALİMATLARI SAKLAYINIZ

#### 1) Çalışma ortamı

- Çalışma ortamı temiz ve iyi ışıklandırılmış olmalıdır.**  
*Dağınık ve karanlık ortamlar kazanın davetçisidir.*
- Yanıcı sıvıların, gazların veya tozların bulunduğu patlayıcı ortamlarda elektrikli aletlerle çalışmayınız.**  
*Elektrikli aletler kıvılcım sıçratabilir ve de gaz tozlarını ateşleyebilir.*
- Elektrikli alet kullanırken çocuklardan ve seyircilerden uzak tutun.**  
*Dikkat dağıtıcı şeyler kontrolü kaybetmenize yol açabilir.*

#### 2) Elektrik güvenliği

- Elektrikli aletin fişi prize uygun olmalıdır. Fişi hiçbir şekilde değiştirmeye çalışmayın. Elektrikli aletin topraklanmış fişinde herhangi bir adaptör kullanmayın.**  
*Değiştirilmemiş fişler ve onlarla uygun prizler elektrik çarpmaya riskini azaltır.*
- Boru, radyatör, ocak/fırın ve buzdolabı gibi topraklanmış yüzeylerle vücut temasından sakının.**  
*Vücüdünüzün toprakla temasa geçmesi elektrik çarpmaya riskini artırır.*
- Elektrikli aletleri yağmur ve ıslak ortamlara maruz bırakmayın.**  
*Elektrikli aletin içersine su girmesi elektrik çarpmaya riskini artırır.*
- Güç kablosuna zarar vermeyin. Elektrikli aleti taşımak, çekmek veya prizden çıkarmak için kabloyu kullanmayın.**  
*Kabloyu kesici veya hareketli parçalardan, sıcak yüzeylerden ve yağdan uzak tutun. Hasar görmüş veya dolaşmış kablolar elektrik çarpmaya riskini artırır.*
- Elektrikli aleti açık alanlarda kullanırken, açık alana özel uzatma kablosu kullanın.**  
*Açık alana özel kablolar elektrik çarpmaya riskini azaltır.*

#### 3) Kişisel güvenlik

- Daima tetikte olun, elektrikli aleti kullanırken ne yaptığının farkında ve duyarlı olun. Elektrikli aleti alkol, ilaç veya uyuşturucu etkisi altındayken veya yorgunken çalıştırmayın.**  
*Elektrikli aleti kullanırken gösterilecek bir saniyelik dikkatsizlik, ciddi yaralanmalara yol açabilir.*
- Koruyucu ekipman kullanın. Daima koruyucu gözlük takın.**  
*Toz maskesi, kaymayan emniyet ayakkabısı, sert başlık veya işitme koruyucusu gibi koşullara uygun olan ve yaralanma riskini azaltıcı koruyucu ekipmanlar kullanın.*

- Aletin istem dışı çalışmasına karşın önlem alın. Prize takmadan önce şalter düğmesinin kapalı konumda olduğundan emin olun.**  
*Elektrikli aleti parmağınızın şalter üzerinde olduğu halde taşımak veya prize takmak kazanın davetçisidir.*
- Elektrikli aleti çalıştırmadan önce ayar anahtarlarını çıkartın.**  
*Elektrikli aletin dönen kısmına takılı kalmış olan bir anahtar, yaralanmalara yol açabilir.*
- Fazla uzanmayın. Ayaklarınızın konumuna ve dengeye her zaman dikkat edin.**  
*Böylece beklenmedik bir durumla karşılaştığınızda, elektrikli aleti daha iyi kontrol altında tutmanızı sağlar.*
- Uygun çalışma giysisi giyin. Bol giysiler ve takıların kaçınınız. Saçınızı, giysilerinizi ve eldiveninizi hareketli parçalardan uzak tutun.**  
*Bol giysiler, takılar veya uzun saç oynayan parçalara takılabilir.*
- Toz toplama bağlantısı için gerekli teçhizat ve bağlantı araçları sağlanmışsa, bunların bağlı olduğundan ve doğru şekilde kullanıldığından emin olun.**  
*Bu teçhizatların kullanılması tozun yaratacağı tehlikeleri azaltacaktır.*

#### 4) Elektrikli aletin kullanımı ve bakımı

- Elektrikli aleti zorlamayın. Yapacağınız işe uygun doğru aleti kullanın.**  
*Doğru elektrikli aletin kullanılması işinizi hem kolaylaştıracağı gibi hem de tasarlanmış süratte daha güvenli bir şekilde yapmanızı sağlar.*
- Eğer elektrikli aletin şalter düğmesi açılıp kapanmıyorsa, aleti kullanmayın.**  
*Şalter düğmesinden kumanda edilemeyen elektrikli aletler tehlike yaratır ve tamir edilmeleri gerekir.*
- Aksesuar değişimlerinde, ayarlamalar sırasında veya elektrikli aleti saklamadan önce elektrik bağlantısını kesin.**  
*Bu gibi önleyici emniyet tedbirleri elektrikli aletin istem dışı çalışmaya riskini azaltır.*
- Kullanılmayan elektrikli aletleri çocukların ulaşamayacağı yerlerde tutun. Aleti kullanmasını bilmeyen ve bu talimatlara aşina olmayan kişilere kullanırmayın.**  
*Elektrikli aletler deneyimsiz ve eğitilmemiş kişilerin eline tehlikeli olur.*
- Elektrikli aletin bakımını yapın. Hareketli parçaların yapışmamasını, kırık olmasını, düzensiz hizalanmasını veya aletin işletimini etkileyecek herhangi bir durumun olmadığını kontrol edin.**  
*Çoğu kazaya yetersiz bakımlı elektrikli aletleri neden olur.*
- Aletlerinizi keskin ve temiz tutun.**  
*Düzenli bakımı yapılmış keskin uçlu takımların yapışma ihtimali azdır ve de kontrol edilmeleri daha kolaylaşır.*
- Elektrikli aleti, aksesuarları ve uçları vs. bu talimatlar doğrultusunda ve o elektrikli aletin amaçlanan kullanımı için, çalışma koşullarını ve de yapılacak işi göz önüne alarak kullanın.**  
*Elektrikli aletin amaçlanan kullanımı dışında kullanılması tehlikeli bir durum yaratabilir.*

## 5) Servis

- a) Elektrikli aleti vasıflı bir kişi tarafından sadece özde yedek parçalar kullanarak tamir edilmesini sağlayın. Böylece elektrikli aletin güvenli kullanımını sağlanacaktır.

## ÖNLEM

- Çocukları ve diğer yeterli güce sahip olmayan kişileri uzak tutun. Kullanılmadığı zamanlarda aleti çocuk ve yeterli güce sahip olmayan kişilerin ulaşamayacağı bir yerde saklayın.

## TEKNİK ÖZELLİKLER

Voltaj (bölgelere göre)*	(110V, 115V, 120V, 127V, 220V, 230V, 240V) ~	
Güç girişi	720 W*	
Yüksüz hız	550 dak <sup>-1</sup>	
Kapasite	Çelik	13 mm
	Ahşap	40 mm
Ağırlık (kordonsuz)	3 kg	

\* Bu değer bölgeden bölgeye değişiklik gösterdiği için ürünün üzerindeki plakayı kontrol etmeyi unutmayın.

## STANDART AKSESUARLAR

- (1) Mandren ucu ..... 1  
(2) Yan Kol ..... 1  
Standart aksesuarlarda önceden bildirimde bulunulmadan değişiklik yapılabilir.

## İSTEĞE BAĞLI AKSESUARLAR (ayrıca satılır)

- (1) Kol mafsalı  
(2) Derinlik durdurucu  
İsteğe bağlı aksesuarlarda önceden bildirimde bulunulmadan değişiklik yapılabilir.

## UYGULAMALAR

- Metal, kereste ve plastik materyal üzerinde delik açma.

## ALETİ KULLANMADAN ÖNCE

1. **Güç kaynağı**  
Kullanılan güç kaynağının, ürünün üzerinde bulunan plakada belirtilen güç gerekliliklerine uygun olduğundan emin olun.
2. **Açma/ Kapama anahtarı**  
Açma/ kapama anahtarının OFF konumunda olduğundan emin olun. Açma/ kapama anahtarı ON konumundayken aletin fişi prize takılırsa, alet derhal çalışmaya başlar ve ciddi kazalar meydana gelebilir.

## MATKABIN KULLANIMIYLA İLGİLİ ÖNLEMLER

1. Darbeli matkaplarla kulak koruyucu kullanın. Gürültüye maruz kalma işitme kaybına yol açabilir.
2. Aletle gelen yardımcı kolları kullanın. Aletin kontrolden çıkması yaralanmalara sebep olabilir.
3. Kullanım sırasında kesinlikle eldiven takmayın. Eldivenler bazen dönen parçalara takılarak ciddi yaralanmalara sebep olabilir. Kullanım sırasında eldiven kullanmayın.
4. Yan kolu takın ve aleti iki elinizle sağlam bir şekilde tutun. Tek elle kullanım çok tehlikelidir. Daima yan kolu takın ve aleti her iki elinizle de tutun. Kullanım sırasında aleti gerektiği gibi tutmamak ciddi hasarlara yol açabilir.
5. Duvar, tavan veya zemini delmeden önce içlerinde duvardan görünmeyen güç kabloları olmadığından emin olun.

### 3. Uzatma kablosu

Çalışma alanı güç kaynağından uzakta olduğunda, yeterli kalınlıkta ve belirtilen gücü kaldırabilen bir uzatma kablosu kullanın. Uzatma kablosu olabildiğince kısa tutulmalıdır.

### 4. Uçun dönme yönünü doğrulama

Yön değiştirme anahtar kolu "R" konumuna ayarlandığında, uç saat yönünde (arka taraftan bakıldığında), ve de yön değiştirme anahtar kolu "L" konumuna ayarlandığında, saatin ters yönünde döner.

### 5. Matkap Ucunun Takılması

Matkap ucunu mandrenin içersine yerleştirin ve mandren anahtarını kullanarak, mandrendeki üç deliğe her bir dönüşte bir delik düşecek gibi güvenli bir şekilde sıkıştırın.

### 6. Uygun matkap ucunu seçme

- Metal veya plastikte delik açarken  
Normal metal işleme matkap uçlarını kullanın. Boyutlar, minimum 1.2 mm'den maksimum mandren kapasitesine kadar değişkendir.
- Ağaçta delik açarken  
Normal ağaç işleme matkap uçlarını kullanın. Ancak 6,5 mm veya daha küçük delikler açarken, metal işleme matkap ucu kullanın.

### 7. Bel kolunun takılması

Bel kolu matkabın arka tarafına takılabilir. Civatayı bel kolunun üzerindeki delikten geçirip, bel kolunu arzu edilen pozisyona getirdikten sonra civatayı iyice sıkıştırın.

### 8. Yan kolun takılması

Yan kol gövde dişli kapağının her iki tarafına da vidalanabilir. Güvenli kullanım için yan kolun kullanılması şarttır. Özellikle ağır/zorlu delme işlemleri sırasında, yan kol ve kol mafsalları kullanın.

## 9. Derinlik durdurucunun takılması (isteğe bağlı aksesuar)

Delik derinliğinin ince ayarlanması için kullanılabilen, derinlik durdurucu aksesuarı mevcuttur. Derinlik durdurucusunu, yan kol veya ayar vidasını kullanarak dişli kapağına takın.

## PRATİK KULLANIM YÖNTEMLERİ

### 1. Basınç

Matkabin gereğinden fazla bastırılması, delik delmeyi HIZLANDIRMAZ. Böyle bir uygulama sadece matkap ucunun zarar görmesiyle kalmayıp ayrıca matkap verimliliğini de düşürür ve matkabin hizmet ömrünü azaltır.

### 2. Büyük çaplı matkap ucu kullanımı

Matkap ucunun çapı büyüdükçe, kolunuza aksayacak kişisel güç de artacaktır. Bu kuvvetten dolayı matkabin kontrolünü kaybetmemeye özen gösterin. Kontrolü koruyabilmek için ayağınızı yere sağlam basın, matkabi iki elinizle sıkı tutun ve matkabin delinen malzemeye dik durduğundan emin olun.

### 3. Malzemede tam delik açarken

Matkap ucu malzemeyi tamamen delip geçtiği durumlarda, dikkatsizlik ve matkabin ani hareket ettirilmesi çoğu kez matkap ucunun kırılmasına veya delinen cismin zarar görmesine yol açar.

Malzemeyi tamamen delerken her zaman için dikkatli ve uyguladığınız gücü bırakmaya hazırlıklı olmalısınız.

### 4. Düğmenin çalıştırılması

#### (1) Tetik düğmesi

Kesintisiz delme işlemi için, tetik düğmesini çekerek durdurucuya basın ve tetiği AÇIK (ON) konumunda tutun. Delme işlemini DURDURMAK için tetik düğmesine tekrar basılması ve bırakılması yeterlidir.

#### (2) Yön Değiştirme düğmesi

Bu matkap, yön değiştirme düğmesi kullanılarak hem saat yönünde (delme işlemi için), hem de saatin ters yönünde (matkap ucunu çıkarmak için) kullanılabilir.

### UYARI

Aletin motoru dönerken, asla dönüş yönünü değiştirilmeyin. Dönüş yönünü değiştirmeden önce güç anahtarını kapatın.

### 5. Geniş Delik Delme İşlemleri Sırasında Alınması Gereken Önlemler

İşlem sırasında matkap ucu aşırı ısınabilir fakat bu kullanımına devam için bir engel yaratmaz. Matkap ucunu su veya yağın içersine sokarak soğutmaya çalışmayın.

### 6. Kullanımdan hemen sonra dikkat edilmesi gerekenler

Kullanımdan hemen sonra dönmeye devam ederken aletin tozlu ve talaş parçacıkları birikmiş olan bir yere bırakılması durumunda, matkabin içersindeki mekanizmaların üzerine bazen toz çekilebilir. Daima bu olasılığı göz önünde bulundurarak dikkatli olun.

## BAKIM VE İNCELEME

### 1. Matkap uçlarının incelenmesi

Yıpranmış matkap uçlarının kullanılması motorda arızaya ve verimlilikte düşüğe neden olacağından, yıpranma gördüğünüzde matkap uçlarını yenisiyle değiştirin veya bileyin.

### 2. Montaj vidalarının incelenmesi

Tüm montaj vidalarını düzenli olarak inceleyin ve sağlam şekilde sıkılı olduğundan emin olun. Gevşeyen vidaları

derhal sıkın. Gevşemiş vidalar ciddi tehlikelere yol açabilir.

### 3. Kömür fırçalarının incelenmesi

Motorda sarf malzemesi olan kömür fırçaları kullanılır. Kömür fırçaları aşırı derecede yıpranırlarsa, motorda sorun yaratabilir. Yıpranma çizgisi ölçüsünde yıpranmış olan fırçaları yenileriyle değiştirin. Ayrıca, fırça tutucuları içersinde serbestçe kayabilmeleri için kömür fırçalarını temiz tutun.

Fırçaları yenileriyle değiştirirken, yalnızca belirtilen fırça numarasına uygun HITACHI ELECTRIC DRILL Type D13 tipi fırça çiftlerini kullanın. Auto-stop kömür fırçaları, yıpranma çizgi ölçüğüne kadar aşınmaları durumunda, elektrik akımını otomatik olarak keserler. Bu, fırçaların değiştirilme zamanının geldiğini belirtir ve komütatörde olası hasarı önler.

### 4. Kömürün Değiştirilmesi

Kömür kapaklarını düz uçlu bir tornavidayla çıkardıktan sonra kömürü kolaylıkla değiştirebilirsiniz.

### 5. Motorun incelenmesi

Motor biriminin sargıları, bu ağır iş aletinin "kalbidir". Sargının hasar görmediğinden ve/veya yağ ya da su ile ıslanmadığından emin olun.

### 6. Servis parçaları listesi

A: Parça no.

B: Kod no.

C: Kullanılan sayı

D: Açıklamalar

### DİKKAT

Hitachi Güç Takımlarının onarımı, modifikasyonu ve gözden geçirilmesi Hitachi yetkili Servis Merkezi tarafından yapılmalıdır.

Hitachi yetkili Servis Merkezine tamir ya da bakım amacıyla başvurulduğunda Parça Listesinin takım ile birlikte verilmesi faydalı olacaktır.

Güç takımlarının çalıştırılması ve bakımlarının yapılması esnasında her ülke için belirtilen güvenlik düzenlemelerine ve standartlarına uyulması gerekmektedir.

### DEĞİŞİKLİKLER

Hitachi Ağır İş Aletleri en son teknoloji ilerlemelere uygun olarak sürekli geliştirilmekte ve geliştirilmektedir. Dolayısıyla, bazı kısımlarda (örneğin kod numaraları ve/veya tasarım gibi) önceden bildirimde bulunulmadan değişiklik yapılabilir.

### NOT

HITACHI'nin süregelen araştırma ve geliştirme programına bağlı olarak burada belirtilen teknik özelliklerde önceden bildirimde bulunulmadan değişiklik yapılabilir.

### Havadan yayılan gürültü ve titreşimle ilgili bilgiler

Ölçülen değerlerin EN60745 ve ISO 4871'e uygun olduğu tespit edilmiştir.

Ölçülmüş A-ağırlıklı gürültü güç derecesi: 97 dB (A)

Ölçülmüş A-ağırlıklı gürültü güç derecesi: 86 dB (A)

Belirsiz KpA: 3 dB (A)

Kulak koruyucusu kullanın.

Tipik ağırlıklı etkin (RMS) ivme değeri 2.5 metre/saniye<sup>2</sup>yi geçmez.

## ОБЩИЕ ПРАВИЛА ПО ТЕХНИКЕ БЕЗОПАСНОСТИ

### ПРЕДУПРЕЖДЕНИЕ!

#### Прочтите руководство по эксплуатации

Невыполнение всех приведенных ниже положений данного руководства может привести к поражению электрическим током, пожару и/или к серьезной травме. Термин "электроинструмент" в контексте всех приведенных ниже мер предосторожности относится к эксплуатируемому Вами электроинструменту с питанием от сетевой розетки (с сетевым шнуром) или электроинструменту с питанием от аккумуляторной батареи (беспроводному).

### СОХРАНИТЕ ДАННОЕ РУКОВОДСТВО

#### 1) Рабочее место

- a) Поддерживайте чистоту и хорошее освещение на рабочем месте.

*Беспорядок и плохое освещение на рабочих местах приводит к несчастным случаям.*

- b) Не используйте электроинструменты во взрывоопасных окружающих условиях, например, в непосредственной близости от огнеопасных жидкостей, горячих газов или легко воспламеняющейся пыли.

*Электроинструменты порождают искры, которые могут воспалить пыль или испарения.*

- c) Держите детей и наблюдателей на безопасном расстоянии во время эксплуатации электроинструмента.

*Отвлечение внимания может стать для Вас причиной потери управления.*

#### 2) Электробезопасность

- a) Штепсельные вилки электроинструментов должны соответствовать сетевой розетке. Никогда не модифицируйте штепсельную вилку никоим образом.

*Не используйте никакие адаптерные переходники с заземленными (замкнутыми на землю) электроинструментами.*

*Немодифицированные штепсельные вилки и соответствующие им сетевые розетки уменьшат опасность поражения электрическим током.*

- b) Не прикасайтесь телом к заземленным поверхностям, например, к трубопроводам, радиаторам, кухонным плитам и холодильникам.

*Если Ваше тело соприкоснется с заземленными поверхностями, возрастает опасность поражения электрическим током.*

- c) Не подвергайте электроинструменты воздействию дождя или влаги.

*При попадании воды в электроинструмент возрастает опасность поражения электрическим током.*

- d) Правильно обращайтесь со шнуром. Никогда не переносите электроинструмент, взявшись за шнур, не тяните за шнур, и не дергайте за шнур с целью отсоединения электроинструмента от сетевой розетки. Располагайте шнур подальше от источников тепла, нефтепродуктов, предметов с острыми кромками и движущихся деталей.

*Поврежденные или запутанные шнуры увеличивают опасность поражения электрическим током.*

- e) При эксплуатации электроинструмента вне помещений, используйте удлинительный шнур, предназначенный для использования вне помещения.

*Использование шнура, предназначенного для работы вне помещений, уменьшит опасность поражения электрическим током.*

#### 3) Личная безопасность

- a) Будьте готовы к неожиданным ситуациям, внимательно следите за своими действиями и руководствуйтесь здравым смыслом при эксплуатации электроинструмента.

*Не используйте электроинструмент, когда Вы устали или находитесь под влиянием наркотиков, алкоголя или лекарственных препаратов.*

*Мгновенная потеря внимания во время эксплуатации электроинструментов может привести к серьезной травме.*

- b) Используйте защитное снаряжение. Всегда надевайте средство защиты глаз.

*Защитное снаряжение, например, противопылевой респиратор, защитная обувь с нескользящей подошвой, защитный шлем-каска или средства защиты органов слуха, используемые для соответствующих условий, уменьшат травмы.*

- c) Избегайте непреднамеренного включения двигателя. Убедитесь в том, что выключатель находится в положении выключения перед подсоединением к сетевой розетке.

*Переноска электроинструментов, когда Вы держите палец на выключателе, или подсоединение электроинструментов к сетевой розетке, когда выключатель будет находиться в положении включения, приводит к несчастным случаям.*

- d) Снимите все регулировочные или гаечные ключи перед включением электроинструмента.

*Гаечный или регулировочный ключ, оставленный прикрепленным к вращающейся детали электроинструмента может привести к получению личной травмы.*

- e) Не теряйте устойчивость. Все время имейте надежную точку опоры и сохраняйте равновесие.

*Это поможет лучше управлять электроинструментом в непредвиденных ситуациях.*

- f) Одевайтесь надлежащим образом. Не надевайте просторную одежду или ювелирные изделия. Держите волосы, одежду и перчатки как можно дальше от движущихся частей.

*Просторная одежда, ювелирные изделия или длинные волосы могут попасть в движущиеся части.*

- g) Если предусмотрены устройства для присоединения приспособлений для отвода и сбора пыли, убедитесь в том, что они присоединены и используются надлежащим образом.

Использование данных устройств может уменьшить опасности, связанные с пылью.

**4) Эксплуатация и обслуживание электроинструментов**

**а) Не перегружайте электроинструмент. Используйте надлежащий для Вашего применения электроинструмент.**

*Надлежащий электроинструмент будет выполнять работу лучше и надежнее в том режиме работы, на который он рассчитан.*

**б) Не используйте электроинструмент с неисправным выключателем, если с его помощью нельзя будет включить и выключить электроинструмент.**

*Каждый электроинструмент, которым нельзя управлять с помощью выключателя, будет представлять опасность и его будет необходимо отремонтировать.*

**в) Отсоедините штепсельную вилку от источника питания перед началом выполнения какой-либо из регулировок, перед сменой принадлежностей или хранением электроинструментов.**

*Такие профилактические меры безопасности уменьшат опасность непреднамеренного включения двигателя электроинструмента.*

**г) Храните неиспользуемые электроинструменты в недоступном для детей месте, и не разрешайте людям, не знающим как обращаться с электроинструментом или не изучившим данное руководство, работать с электроинструментом.**

*Электроинструменты представляют опасность в руках неподготовленных пользователей.*

**е) Содержите электроинструменты в исправности. Проверьте, нет ли несоосности или заедания движущихся частей, повреждения деталей или какого-либо другого обстоятельства, которое может повлиять на функционирование электроинструментов.**

*При наличии повреждения, отремонтируйте электроинструмент перед его эксплуатацией. Большое количество несчастных случаев связано с плохим обслуживанием электроинструментов.*

**ф) Содержите режущие инструменты остро заточенными и чистыми.**

*Содержащиеся в исправности надлежащим образом режущие инструменты с острыми режущими кромками будут меньше заедать, и будут легче в управлении.*

**г) Используйте электроинструмент, принадлежности, насадки и т.п., в соответствии с данным руководством и определенным типом электроинструмента для выполнения работы по его прямому назначению, принимая во внимание условия и объем выполняемой работы.**

*Использование электроинструмента для выполнения работ не по прямому назначению может привести к опасной ситуации.*

**5) Обслуживание**

**а) Обслуживание Вашего электроинструмента должно выполняться квалифицированным представителем ремонтной службы с использованием только идентичных запасных частей.**

*Это обеспечит сохранность и безопасность электроинструмента.*

**МЕРА ПРЕДОСТОРОЖНОСТИ**

**Держите подальше от детей и слабых людей. Если инструменты не используются, их следует хранить в недоступном для детей и слабых людей месте.**

**МЕРЫ ПРЕДОСТОРОЖНОСТИ ПРИ ЭКСПЛУАТАЦИИ ЭЛЕКТРОДРЕЛИ**

1. Одевайте наушники во время работы с ударной дрелью. Воздействие шума может привести к потере слуха.
2. Используйте ручки, прилагаемые к инструменту. Потеря контроля над инструментом может привести к травме.
3. Никогда не надевайте перчатки во время работы. Перчатки иногда захватываются движущимися частями инструмента, что может привести к серьезной травме. Не используйте перчатки во время работы.
4. Установите боковую рукоятку и крепко удерживайте инструмент обеими руками. Работа одной рукой очень опасна. Всегда устанавливайте боковую рукоятку и крепко удерживайте инструмент обеими руками. Если держать инструмент ненадежно, это может привести к серьезной травме во время работы.
5. Прежде чем сверлить отверстия в стенах, потолках или полах, убедитесь в отсутствии проложенных внутри скрытых электрических кабелей.

**ТЕХНИЧЕСКИЕ ХАРАКТЕРИСТИКИ**

Напряжение (по регионам)*		(110В, 115В, 120В, 127В, 220В, 230В, 240В) √
Потребляемая мощность		720 Вт*
Число оборотов холостого хода		550 мин <sup>-1</sup>
Диаметр бурения	Сталь	13 мм
	Дерево	40 мм
Вес (без шнура)		3 кг

\* Проверьте паспортную табличку на изделии, так как она меняется в зависимости от региона

## СТАНДАРТНЫЕ АКССУАРЫ

- (1) Патронный гаечный ключ ..... 1
  - (2) Боковая рукоятка ..... 1
- Набор стандартных аксессуаров может быть без предупреждения изменён.

## ДОПОЛНИТЕЛЬНЫЕ АКССУАРЫ (продаются отдельно)

- (1) Крепление рукоятки
  - (2) Ограничитель глубины
- Набор дополнительных аксессуаров может быть без предупреждения изменён.

## ОБЛАСТЬ ПРИМЕНЕНИЯ

- Сверление в металле, дереве и пластмассе.

## ПОДГОТОВКА К ЭКСПЛУАТАЦИИ

- 1. Источник электропитания**  
Проследите за тем, чтобы используемый источник электропитания соответствовал требованиям к источнику электропитания, указанным на типовой табличке изделия.
- 2. Переключатель "Вкл./ Выкл."**  
Убедитесь в том, что переключатель находится в положении "Выкл.". Если вы вставляете штепсель в розетку, а переключатель находится в положении "Вкл.", инструмент немедленно заработает, что может стать причиной серьёзной травмы.
- 3. Удлинитель**  
Когда рабочая площадка удалена от источника электропитания, пользуйтесь удлинителем. Удлинитель должен иметь требуемую площадь поперечного сечения и обеспечивать работу инструмента заданной мощности. Разматывайте удлинитель только на реально необходимую для данного конкретного применения длину.
- 4. Убедитесь в направлении вращения сверла**  
Сверло вращается по часовой стрелке (если смотреть сзади), если рычаг реверсивного переключателя установлен в положение "R", и в обратном направлении, если рычаг реверсивного переключателя установлен в положение L.
- 5. Установка сверла**  
Установите сверло в патрон и зафиксируйте его при помощи патронного ключа, затягивая патрон в каждом из трех отверстий по кругу.
- 6. Выбор подходящего сверла**
  - При сверлении металла или пластмассы Используйте обычные сверла для сверления металлоконструкций. Диапазон размеров от минимального 1,2 мм до максимального размера патрона.
  - При сверлении дерева Используйте обычные сверла для сверления деревянных конструкций. Однако при сверлении отверстий 6,5 мм или менее, используйте сверло для сверления металлоконструкций.
- 7. Установка заостренной рукоятки**  
Заостренная рукоятка может быть установлена на задней части дрели. Вставьте болт в отверстие в заостренной рукоятке, расположите заостренную рукоятку в желаемом положении и крепко затяните болт.
- 8. Установка боковой рукоятки**  
Боковая рукоятка ввинчивается в корпус с любой стороны крышки привода. Использование боковой

рукоятки необходимо для безопасной работы. Особенно во время напряженного режима сверления используйте крепление рукоятки и боковую рукоятку.

- 9. Установка ограничителя глубины (дополнительная принадлежность)**  
Имеется в наличии ограничитель глубины, удобный для регулировки глубины сверления. Установите ограничитель глубины на крышку привода при помощи боковой рукоятки или установочного винта.

## ПРАКТИЧЕСКАЯ МЕТОДИКА ОБРАЩЕНИЯ С ИНСТРУМЕНТОМ

- 1. Нажим**  
Сверление НЕ будет происходить быстрее, если с силой нажимать на дрель. Такое действие приведет только к повреждению сверла, снижению эффективности сверления и/или сокращению срока службы дрели.
  - 2. Использование сверла большего диаметра**  
Чем больше диаметр сверла, тем сильнее отдача, действующая на Вашу руку. Будьте осторожны, чтобы не потерять контроль над дрелью из-за этой силы отдачи. Для поддержания надежного контроля обеспечьте хорошую опору, держите дрель крепко обеими руками и убедитесь, что дрель располагается перпендикулярно к обрабатываемому материалу.
  - 3. При сверлении материала насквозь.**  
Когда сверло проходит насквозь через материал, неосторожное обращение часто приводит к поломке сверла или повреждению корпуса самой дрели из-за неожиданного перемещения дрели. Всегда будьте начеку и готовы ослабить силу нажима при сверлении сквозь материал.
  - 4. Функционирование переключателя**
    - (1) Пусковой переключатель  
Если нажать пусковой переключатель и стопор, переключатель будет удерживаться в положении ON (VKJ) для длительного сверления. Для того чтобы выключить дрель, нажмите пусковой переключатель еще раз и отпустите его.
    - (2) Реверсивный переключатель  
Данная дрель может вращаться как по часовой стрелке (для сверления), так и против часовой стрелки (для освобождения сверла), переключаясь при помощи реверсивного переключателя.
- ### ОСТОРОЖНО
- Никогда не переключайте направление вращения, пока двигатель не перестанет вращаться. Выключите переключатель питания перед изменением направления вращения.
- 5. Меры предосторожности во время сверления**  
Во время работы дрель может перегреться; тем не менее, она при этом остается достаточно работоспособной. Не охлаждайте сверло в воде или масле.
  - 6. Будьте осторожны непосредственно после использования**  
Непосредственно после использования, пока дрель еще вращается, если ее положить на место, где скопилось большое количество стружек и пыли, пыль может случайно попасть внутрь механизма дрели. Всегда помните об этой нежелательной возможности.

## ТЕХНИЧЕСКОЕ ОБСЛУЖИВАНИЕ И ПРОВЕРКА

### 1. Осмотр сверла электродрели

Так как использование изношенных сверл приводит к неисправности двигателя и к снижению эффективности, заменяйте сверла новыми сверлами или заточивайте сверла сразу же, как только заметите признаки износа

### 2. Проверка установленных винтов

Регулярно проверяйте все установленные на инструменте винты, следите за тем, чтобы они были как следует затянуты. Немедленно затяните винт, который окажется ослабленным. Невыполнение этого правила грозит серьезной опасностью.

### 3. Осмотр угольных щеток

В двигателе используются угольные щетки, которые являются изнашиваемыми деталями.

Если щетки изнашиваются, это может привести к нарушению работы двигателя. Если щетки изношены до линии предела, замените их новыми. Содержите щетки в чистоте, чтобы они легко входили в держатели.

При замене щеток новыми, убедитесь, что используется пара щеток HITACHI ELECTRIC DRILL Тип D13, соответствующая номеру на иллюстрации. Самоостанавливающиеся угольные щетки автоматически разомкнут электрическую цепь, если будут изношены до предела износа.

Это служит для обозначения того, что угольные щетки пора заменить, и предотвращения повреждения коллектора.

### 4. Замена угольных щеток

Снимите колпаки щеток при помощи отвертки с плоской головкой. После этого угольные щетки могут быть легко сняты.

### 5. Техническое обслуживание двигателя

Обмотка двигателя - "сердце" электроинструмента. Проявляйте должное внимание, следя за тем, чтобы обмотка не была повреждена и/или залита маслом или водой.

### 6. Порядок записей по техобслуживанию

A: Пункт №

B: Код №

C: Количество применений

D: Замечания

### ПРЕДОСТЕРЕЖЕНИЕ:

Ремонт, модификацию и осмотр механизированного инструмента фирмы Hitachi следует проводить в авторизованном сервисном центре Hitachi.

Этот перечень запасных частей пригодится при представлении его вместе с инструментом в авторизованный сервисный центр Hitachi с запросом на ремонт или прочее обслуживание.

При работе и обслуживании механизированных инструментов нужно соблюдать правила и стандарты безопасности, действующие в каждой данной стране.

### ЗАМЕЧАНИЕ

Фирма HITACHI непрерывно работает над усовершенствованием своих изделий, поэтому мы сохраняем за собой право на внесение изменений в технические характеристики, упомянутые в данной инструкции по эксплуатации, без предупреждения об этом.

### ПРИМЕЧАНИЕ

На основании постоянных программ исследования и развития, HITACHI оставляют за собой право на изменение указанных здесь технических данных без предварительного уведомления.

### Информация, касающаяся создаваемого шума и вибрации

Измеряемые величины были определены в соответствии с EN60745 и заявлены в соответствии с ISO 4871.

Измеренный средневзвешенный уровень звуковой мощности: 97 дБ (A)

Измеренный средневзвешенный уровень звукового давления: 86 дБ (A)

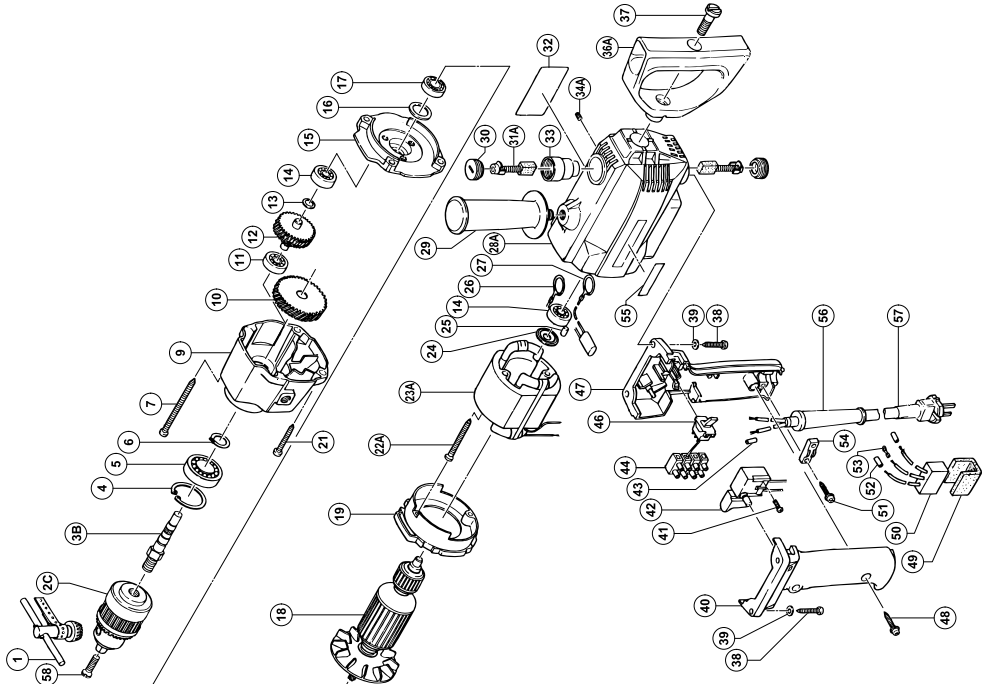
Погрешность Кра: 3 дБ (A)

Надевайте наушники.

Типичное взвешенное среднеквадратическое значение ускорения не превышает 2,5 м/с<sup>2</sup>.



A	B	C	D	A	B	C	D
1	930-515	1		34A	985-114	2	
2C	950-275	1	13VLR "1, 58"	36A	982-794Z	1	
3B	981-667	1		37	982-796Z	1	M10
4	939-556	1		38	937-807	4	D5 × 25
5	620-2VV	1	6202VVMCPS2S	39	949-424	4	M5
6	939-544	1		40	984-361	1	
7	957-725	2	D5 × 70	41	980-060	2	M3.5 × 5
9	981-650	1		42	971-667Z	1	
10	983-448	1		43	981-373	2	
11	627-VVM	1	627VVMC2EPS2S	44	982-804Z	1	
12	981-652Z	1		46	982-802Z	1	"44"
13	949-426	1	M8	47	984-360	1	
14	608-VVM	2	608VVMC2EPS2L	48	982-095	1	D4 × 20
15	982-791	1	"14, 16, 17"	49	930-153	1	
16	984-357	1		50	994-273	1	
17	609-VVM	1	609VVMC2PS2S	51	930-446	2	D4 × 16
18	981-657E	1	220V-230V	52	981-373	2	
19	981-562	1		53	961-419Z	1	
21	931-875	2	D5 × 35	54	960-266	1	
22A	991-007	2	D5 × 60	55	957-561	1	
23A	982-797L	1	220V-230V	56-1	953-327	1	D8.8
24	984-367	1		56-2	938-051	1	D10.1
25	946-362	1		57	—	1	
26	982-800Z	1		58	981-122	1	M6 × 22
27	982-801Z	1					
28A	982-790	1	"33, 34A"				
29	981-205	1					
30	961-781	2					
31A	999-073	2					
32	—	1					
33	981-586	2					



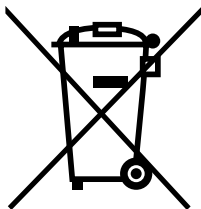
<p>English</p> <p><b><u>GUARANTEE CERTIFICATE</u></b></p> <ol style="list-style-type: none"> <li>① Model No.</li> <li>② Serial No.</li> <li>③ Date of Purchase</li> <li>④ Customer Name and Address</li> <li>⑤ Dealer Name and Address (Please stamp dealer name and address)</li> </ol>	<p>Magyar</p> <p><b><u>GARANCIA BIZONYLAT</u></b></p> <ol style="list-style-type: none"> <li>① Tipusszám</li> <li>② Sorozatszám</li> <li>③ A vásárlás dátuma</li> <li>④ A Vásárló neve és címe</li> <li>⑤ A Kereskedő neve és címe (Kérjük ide elhelyezni a Kereskedő nevének és címének pecsétjét)</li> </ol>
<p>Deutsch</p> <p><b><u>GARANTIESCHEIN</u></b></p> <ol style="list-style-type: none"> <li>① Modell-Nr.</li> <li>② Serien-Nr.</li> <li>③ Kaufdatum</li> <li>④ Name und Anschrift des Kunden</li> <li>⑤ Name und Anschrift des Händlers (Bitte mit Namen und Anschrift des Handlers abstempeln)</li> </ol>	<p>Čeština</p> <p><b><u>ZÁRUČNÍ LIST</u></b></p> <ol style="list-style-type: none"> <li>① Model č.</li> <li>② Série č.</li> <li>③ Datum nákupu</li> <li>④ Jméno a adresa zákazníka</li> <li>⑤ Jméno a adresa prodejce (Prosíme o razítko se jménem a adresou prodejce)</li> </ol>
<p>Ελληνικά</p> <p><b><u>ΠΙΣΤΟΠΟΙΗΤΙΚΟ ΕΓΓΥΗΣΗΣ</u></b></p> <ol style="list-style-type: none"> <li>① Αρ. Μοντέλου</li> <li>② Αύξων Αρ.</li> <li>③ Ημερομηνία αγοράς</li> <li>④ Όνομα και διεύθυνση πελάτη</li> <li>⑤ Όνομα και διεύθυνση μεταπωλητή (Παρακαλούμε να χρησιμοποιηθεί σφραγίδα)</li> </ol>	<p>Türkçe</p> <p><b><u>GARANTİ SERTİFİKASI</u></b></p> <ol style="list-style-type: none"> <li>① Model No.</li> <li>② Seri No.</li> <li>③ Satın Alma Tarihi</li> <li>④ Müşteri Adı ve Adresi</li> <li>⑤ Bayi Adı ve Adresi (Lütfen bayi adını ve adresini kaşe olarak basın)</li> </ol>
<p>Polski</p> <p><b><u>GWARANCJA</u></b></p> <ol style="list-style-type: none"> <li>① Model</li> <li>② Numer seryjny</li> <li>③ Data zakupu</li> <li>④ Nazwa klienta i adres</li> <li>⑤ Nazwa dealera i adres (Pieczęć punktu sprzedaży)</li> </ol>	<p>Русский</p> <p><b><u>ГАРАНТИЙНЫЙ СЕРТИФИКАТ</u></b></p> <ol style="list-style-type: none"> <li>① Модель №</li> <li>② Серийный №</li> <li>③ Дата покупки</li> <li>④ Название и адрес заказчика</li> <li>⑤ Название и адрес дилера (Пожалуйста, внесите название и адрес дилера)</li> </ol>



# HITACHI

①	
②	
③	
④	
⑤	





#### English

Only for EU countries

Do not dispose of electric tools together with household waste material!

In observance of European Directive 2002/96/EC on waste electrical and electronic equipment and its implementation in accordance with national law, electric tools that have reached the end of their life must be collected separately and returned to an environmentally compatible recycling facility.

#### Deutsch

Nur für EU-Länder

Werfen Sie Elektrowerkzeuge nicht in den Hausmüll!

Gemäss Europäischer Richtlinie 2002/96/EG über Elektro- und Elektronik- Altgeräte und Umsetzung in nationales Recht müssen verbrauchte Elektrowerkzeuge getrennt gesammelt und einer umweltgerechten Wiederverwertung zugeführt werden.

#### Ελληνικά

Μόνο για τις χώρες της ΕΕ

Μην πετάτε τα ηλεκτρικά εργαλεία στον κάδο οικιακών απορριμμάτων!

Σύμφωνα με την ευρωπαϊκή οδηγία 2002/96/EK περί ηλεκτρικών και ηλεκτρονικών συσκευών και την ενσωμάτωσή της στο εθνικό δίκαιο, τα ηλεκτρικά εργαλεία πρέπει να συλλέγονται ξεχωριστά και να επιστρέφονται για ανακύκλωση με τρόπο φιλικό προς το περιβάλλον.

#### Polski

Dotyczy tylko państw UE

Nie wyrzucaj elektronarzędzi wraz z odpadami z gospodarstwa domowego!

Zgodnie z Europejską Dyrektywą 2002/96/WE w sprawie zużytego sprzętu elektrotechnicznego i elektronicznego oraz dostosowaniem jej do prawa krajowego, zużyte elektronarzędzia należy posegregować i zutylizować w sposób przyjazny dla środowiska.

#### Magyar

Csak EU-országok számára

Az elektromos kéziszerszámokat ne dobja a háztartási szeméttbe!

A használt villamos és elektronikai készülékekről szóló 2002/96/EK irányelv és annak a nemzeti jogba való átültetése szerint az elhasznált elektromos kéziszerszámokat külön kell gyűjteni, és környezetbarát módon újra kell hasznosítani.

#### Čeština

Jen pro státy EU

Elektrické nářadí nevyhazujte do komunálního odpadu!

Podle evropské směrnice 2002/96/EG o nakládání s použitými elektrickými a elektronickými zařízeními a odpovídajících ustanovení právních předpisů jednotlivých zemí se použité elektrické nářadí musí sbírat odděleně od ostatního odpadu a podrobit ekologicky šetrnému recyklování.

#### Türkçe

Sadece AB ülkeleri için


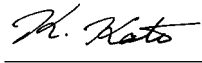

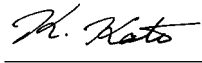

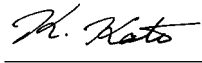
Elektrikli el aletlerini evdeki çöp kutusuna atmayınız! Kullanılmış elektrikli aletleri, elektrik ve elektronik eski cihazlar hakkındaki 2002/96/EC Avrupa yönergelerine göre ve bu yönergeler ulusal hukuk kurallarına göre uyarlanarak, ayrı olarak toplanmalı ve çevre şartlarına uygun bir şekilde tekrar değerlendirilmeye gönderilmelidir.

#### Русский

Только для стран ЕС

Не выкидывайте электроприборы вместе с обычным мусором!

В соответствии с европейской директивой 2002/96/EG об утилизации старых электрических и электронных приборов и в соответствии с местными законами электроприборы, бывшие в эксплуатации, должны утилизироваться отдельно безопасным для окружающей среды способом.

<p>English</p> <p><b>EC DECLARATION OF CONFORMITY</b></p> <p>We declare under our sole responsibility that this product is in conformity with standards or standardized documents EN60745, EN55014 and EN61000-3 in accordance with Council Directives 73/23/EEC, 89/336/EEC and 98/37/EC.</p> <p>This declaration is applicable to the product affixed CE marking.</p>	<p>Magyar</p> <p><b>EU MEGFELELŐSÉGI NYILATKOZAT</b></p> <p>Teljes felelősségünk tudatában kijelentjük, hogy ez a termék megfelel az EN60745, EN55014, és EN 61000-3 szabványoknak illetve szabványosított dokumentumoknak, az Európa Tanács 73/23/EEC, 89/336/EEC, és 98/37/EC Tanácsi Direktíváival összhangban.</p> <p>Jelen nyilatkozat a terméken feltüntetett CE jelzésre vonatkozik.</p>						
<p>Deutsch</p> <p><b>ERKLÄRUNG ZUR KONFORMITÄT MIT CE-REGELN</b></p> <p>Wir erklären mit alleiniger Verantwortung, daß dieses Produkt den Standards oder standardisierten Dokumenten EN60745, EN55014 und EN61000-3 in Übereinstimmung mit den Direktiven des Europarats 73/23/EWG, 89/336/EWG und 98/37/CE entspricht.</p> <p>Diese Erklärung gilt für Produkte, die die CE-Markierung tragen.</p>	<p>Čeština</p> <p><b>PROHLÁŠENÍ O SHODĚ S CE</b></p> <p>Prohlašujeme na svoji zodpovědnost, že tento výrobek odpovídá normám EN60745, EN55014 a EN61000-3 v souladu se směrnicemi 73/23/EEC, 89/336/EEC a 98/37/EC.</p> <p>Toto prohlášení platí pro výrobek označený značkou CE.</p>						
<p>Ελληνικά</p> <p><b>ΕΚ ΔΗΛ-ΣΗ ΕΝΑΡΜΟΝΙΣΜΟΥ</b></p> <p>Δηλώνουμε με απόλυτη υπευθυνότητα ότι αυτό το προϊόν είναι εναρμονισμένο με τα πρότυπα ή τα έγγραφα προτύπων EN60745, EN55014 και EN61000-3 σε συμφωνία με τις Οδηγίες του Συμβουλίου 73/23/ΕΟΚ, 89/336/ΕΟΚ και 98/37/ΕΚ.</p> <p>Αυτή η δήλωση ισχύει στο προϊόν με το σημάδι CE.</p>	<p>Türkçe</p> <p><b>AB UYGUNLUK BEYANI</b></p> <p>Bu ürünün, 73/23/EEC, 89/336/EEC ve 98/37/EC sayılı Konsey Direktiflerine uygun olarak, EN60745, EN55014 ve EN61000-3 sayılı standartlara ve standartlaştırılmış belgelere uygun olduğunu, tamamen kendi sorumluluğumuz altında beyan ederiz.</p> <p>Bu beyan, üzerinde CE işareti bulunan ürünler için geçerlidir.</p>						
<p>Polski</p> <p><b>DEKLARACJA ZGODNOŚCI Z EC</b></p> <p>Oznajmiamy z całkowitą odpowiedzialnością, że produkt ten pozostaje w zgodzie ze standardami lub standardową formą dokumentów EN60745, EN55014 i EN61000-3 w zgodzie z Zasadami Rady 73/23/EEC 89/336/ EEC i 98/37/EC.</p> <p>To oświadczenie odnosi się do załączonego produktu z oznaczeniami CE.</p>	<p>Русский</p> <p><b>ДЕКЛАРАЦИЯ СООТВЕТСТВИЯ ЕС</b></p> <p>Мы с полной ответственностью заявляем, что данное изделие соответствует стандартам или стандартизованным документам EN60745, EN55014 и EN61000-3 согласно Директивам Совета 73/23/EEC, 89/336/EEC и 98/37/EC.</p> <p>Данная декларация относится к изделиям, на которых имеется маркировка CE.</p>						
<table border="0"> <tr> <td data-bbox="72 1109 571 1197"> <p>Representative office in Europe  <b>Hitachi Power Tools Europe GmbH</b>  Siemensring 34, 47877 Willich 1, F. R. Germany</p> </td> <td data-bbox="683 1109 756 1165" style="text-align: center;">  </td> <td data-bbox="840 1149 963 1173"> <p>30. 12. 2005</p> </td> </tr> <tr> <td data-bbox="72 1212 616 1332"> <p>Head office in Japan  <b>Hitachi Koki Co., Ltd.</b>  Shinagawa Intercity Tower A, 15-1, Konan 2-chome,  Minato-ku, Tokyo, Japan</p> </td> <td colspan="2" data-bbox="840 1197 1041 1324" style="text-align: right;">   <hr/> K. Kato  Board Director </td> </tr> </table>		<p>Representative office in Europe  <b>Hitachi Power Tools Europe GmbH</b>  Siemensring 34, 47877 Willich 1, F. R. Germany</p>		<p>30. 12. 2005</p>	<p>Head office in Japan  <b>Hitachi Koki Co., Ltd.</b>  Shinagawa Intercity Tower A, 15-1, Konan 2-chome,  Minato-ku, Tokyo, Japan</p>	 <hr/> K. Kato Board Director	
<p>Representative office in Europe  <b>Hitachi Power Tools Europe GmbH</b>  Siemensring 34, 47877 Willich 1, F. R. Germany</p>		<p>30. 12. 2005</p>					
<p>Head office in Japan  <b>Hitachi Koki Co., Ltd.</b>  Shinagawa Intercity Tower A, 15-1, Konan 2-chome,  Minato-ku, Tokyo, Japan</p>	 <hr/> K. Kato Board Director						

 **Hitachi Koki Co., Ltd.**